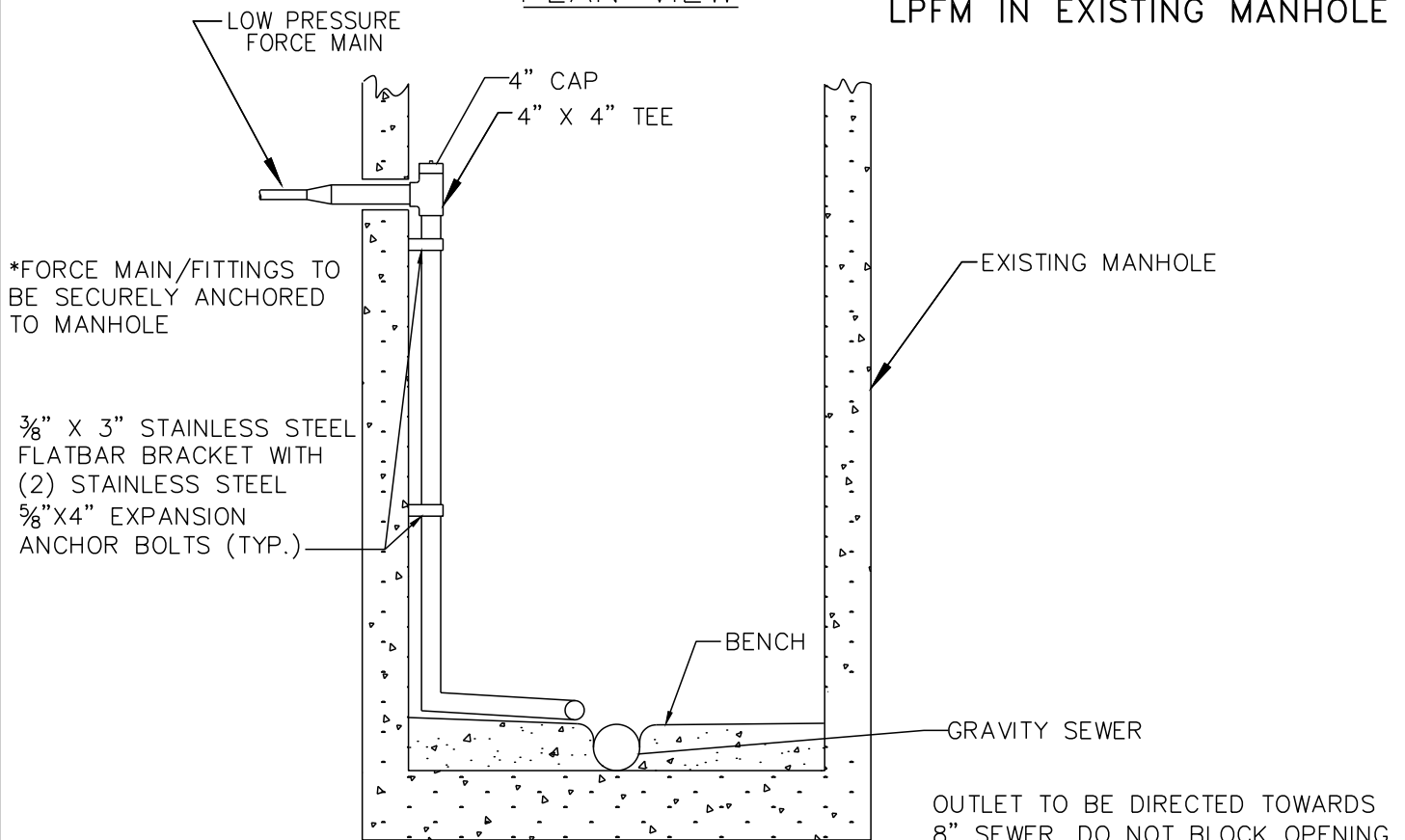


PLAN VIEW

TYPICAL DROP CONNECTION LPFM IN EXISTING MANHOLE



SECTION A-A VIEW

OUTLET TO BE DIRECTED TOWARDS 8" SEWER. DO NOT BLOCK OPENING FOR MAINTENANCE.

5/05/2020 - 3:07:47pm



THE CITY OF LYNCHBURG

LPFM—FORCE MAIN TERMINAL MANHOLE

USE WITH THE CITY OF LYNCHBURG STANDARD SPECIFICATIONS ONLY

SCALE:
NOT TO SCALE

REVISION DATE:
4-2020

DETAIL #
27.29

SHEET #:
1 OF 1