

FRAME & COVER (24" CLEARANCE)
SERIES R1766-B1 BY NEENAH FOUNDRY CO. OR EQUAL

AIR VALVE TO BE OFFSET FROM OPENING AS SHOWN

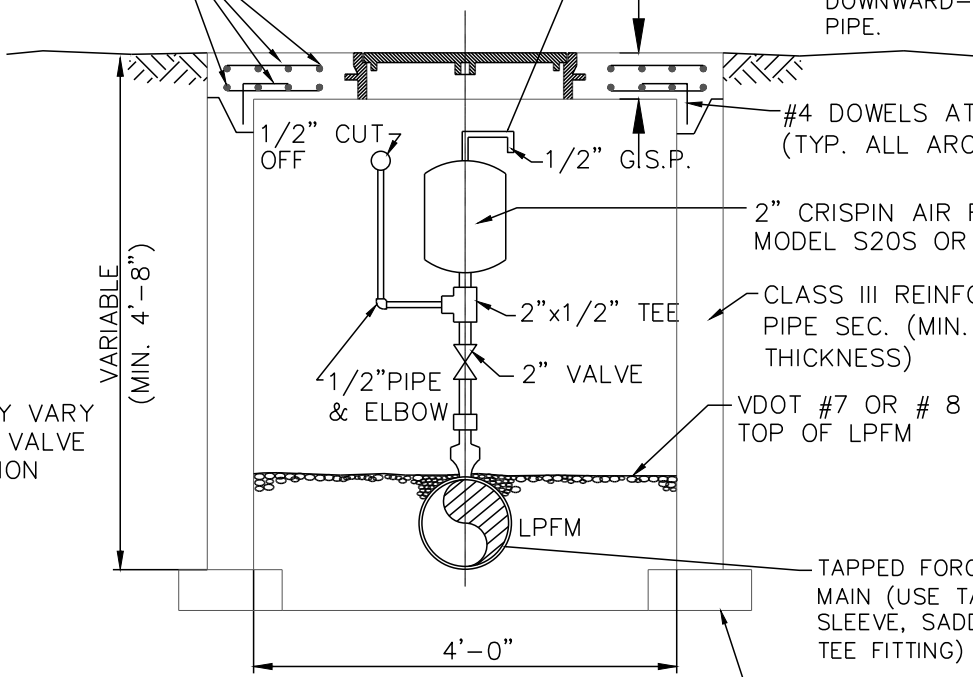
4 #5 BARS EXTRA PLACED DIAGONALLY AS SHOWN AROUND OPENING

#4 AT 6" O.C. - E.W. TOP & BOTTOM

PLAN

CONNECT PIPE OR COPPER TUBING TO OUTLET AND EXTEND UP 12". USE FITTINGS AS REQUIRED. PROVIDE SCREENED, DOWNWARD-FACING ELBOW & PIPE.

6" MIN.



#4 DOWELS AT 12" O.C. (TYP. ALL AROUND)

2" CRISPIN AIR RELEASE VALVE MODEL S20S OR EQUAL

CLASS III REINFORCED CONCRETE PIPE SEC. (MIN. B WALL THICKNESS)

VDOT #7 OR # 8 STONE FILL TO TOP OF LPFM

TAPPED FORCE MAIN (USE TAPPING SLEEVE, SADDLE OR TEE FITTING)

VARIABLE (MIN. 4'-8")

*DEPTH MAY VARY BASED ON VALVE DIMENSION

1/2" CUT OFF

1/2" G.S.P.

2"x1/2" TEE

2" VALVE

1/2" PIPE & ELBOW

LPFM

4'-0"

SECTION

PLACE CONCRETE BLOCK ASTM C-139, OR POUR 12" X 8" CONCRETE RING FOOTING TO SUPPORT CHAMBER BUT LEAVE OPENING BELOW PIPE. FILL SPACE INSIDE RING WITH CLEAN GRAVEL FOR DRAINAGE. ELIMINATE CONCRETE FOOTING IF SOLID ROCK IS ENCOUNTERED.

5/05/2020 - 2:36:48pm



THE CITY OF LYNCHBURG

LPFM-AIR RELEASE VALVE

USE WITH THE CITY OF LYNCHBURG STANDARD SPECIFICATIONS ONLY

SCALE:
NOT TO SCALE

DETAIL #
27.27

REVISION DATE:
4-2020

SHEET #:
1 OF 1