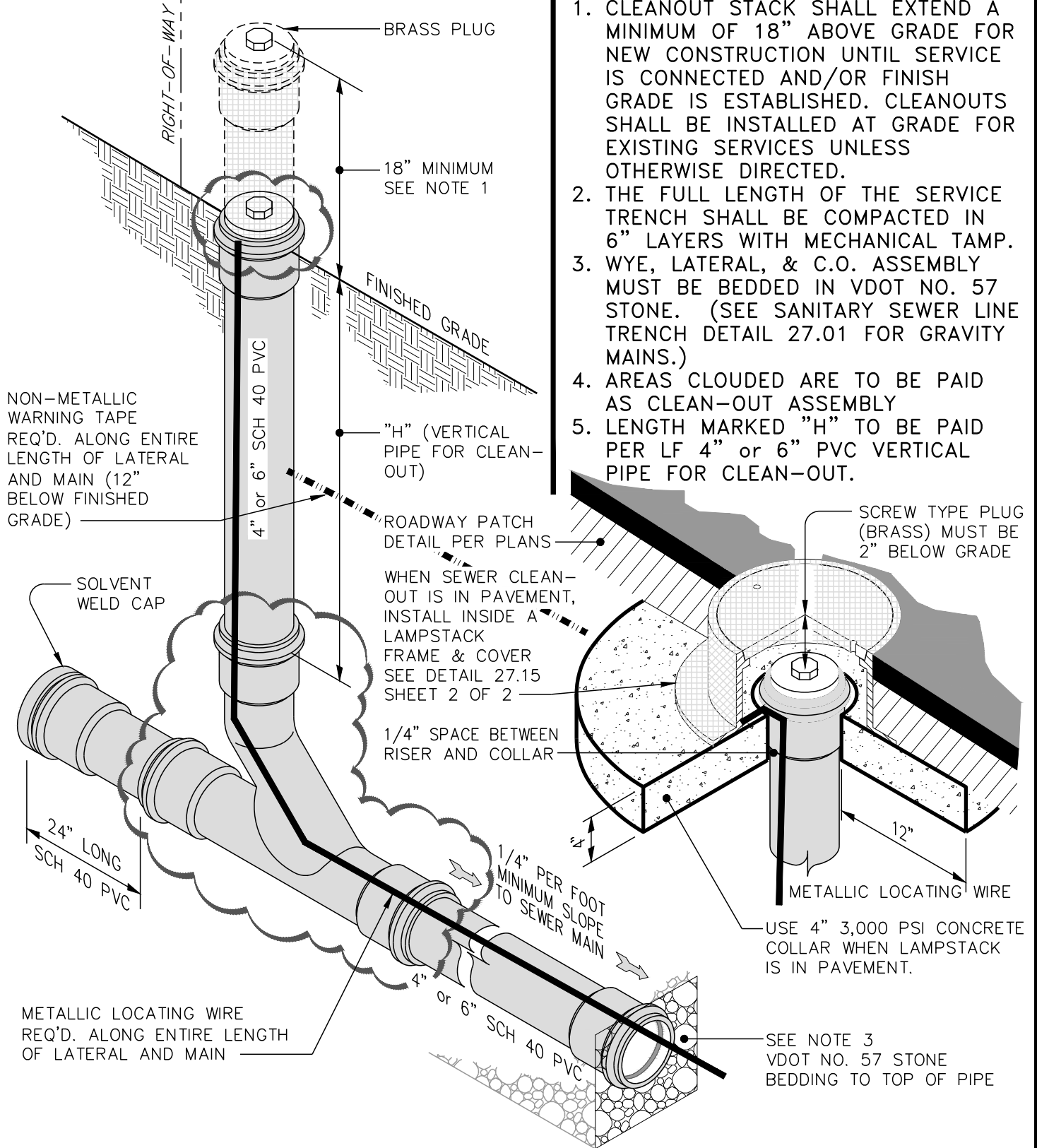


UNPAVED AREAS      PAVED AREAS

**NOTES:**

1. CLEANOUT STACK SHALL EXTEND A MINIMUM OF 18" ABOVE GRADE FOR NEW CONSTRUCTION UNTIL SERVICE IS CONNECTED AND/OR FINISH GRADE IS ESTABLISHED. CLEANOUTS SHALL BE INSTALLED AT GRADE FOR EXISTING SERVICES UNLESS OTHERWISE DIRECTED.
2. THE FULL LENGTH OF THE SERVICE TRENCH SHALL BE COMPACTED IN 6" LAYERS WITH MECHANICAL TAMP.
3. WYE, LATERAL, & C.O. ASSEMBLY MUST BE BEDDED IN VDOT NO. 57 STONE. (SEE SANITARY SEWER LINE TRENCH DETAIL 27.01 FOR GRAVITY MAINS.)
4. AREAS CLOUDED ARE TO BE PAID AS CLEAN-OUT ASSEMBLY
5. LENGTH MARKED "H" TO BE PAID PER LF 4" or 6" PVC VERTICAL PIPE FOR CLEAN-OUT.



**THE CITY OF LYNCHBURG**

TYPICAL PVC SEWER LATERAL  
CLEANOUT WITH IN-LINE WYE

USE WITH THE CITY OF LYNCHBURG STANDARD SPECIFICATIONS ONLY

SCALE:  
NOT TO SCALE

REVISION DATE:  
4-2020

DETAIL #  
**27.15**

SHEET #:  
1 OF 2