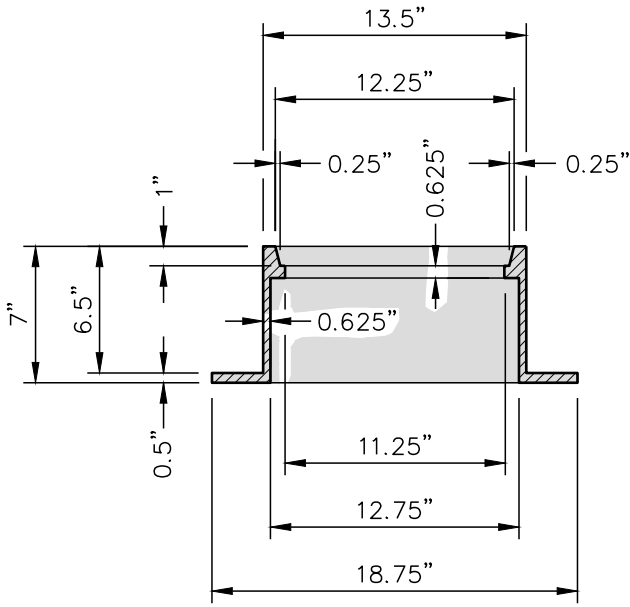
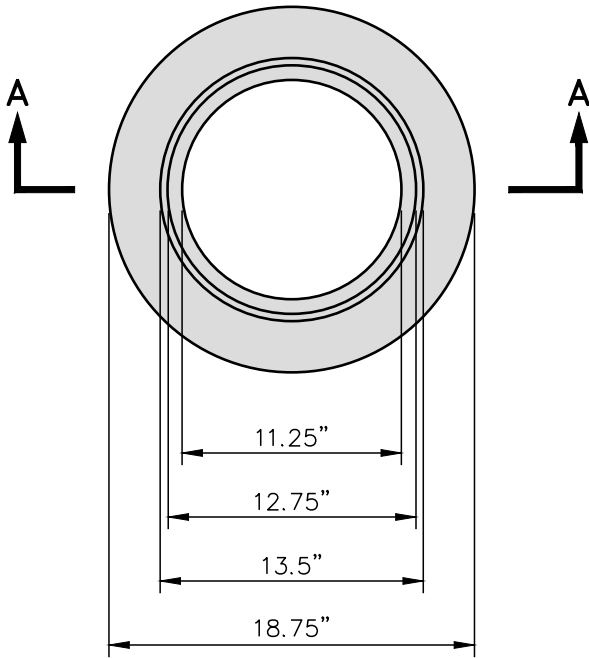


**FRAME**

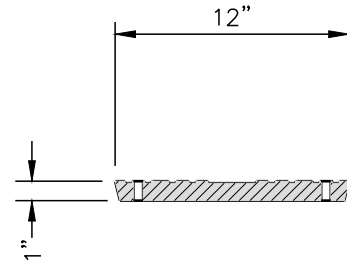


**SECTION A-A**

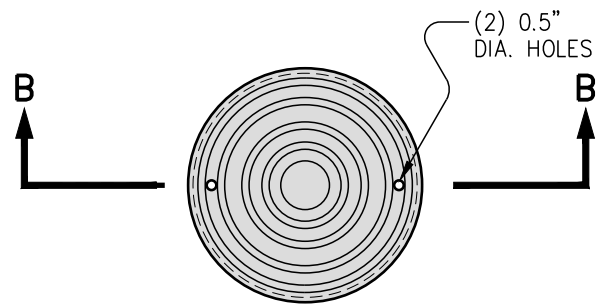


**PLAN VIEW**

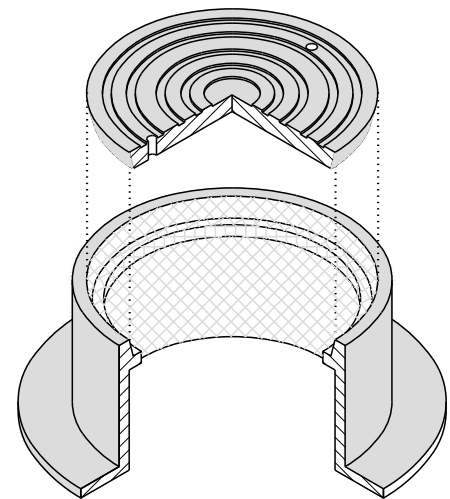
**COVER**



**SECTION B-B**



**PLAN VIEW**



**ISOMETRIC VIEW**

LAMPSTACK FRAME and COVER

**THE CITY OF LYNCHBURG**

TYPICAL PVC SEWER LATERAL  
CLEANOUT WITH IN-LINE WYE

USE WITH THE CITY OF LYNCHBURG STANDARD SPECIFICATIONS ONLY

SCALE:  
NOT TO SCALE

REVISION DATE:  
4-2020

DETAIL #  
**27.15**

SHEET #:  
2 OF 2

