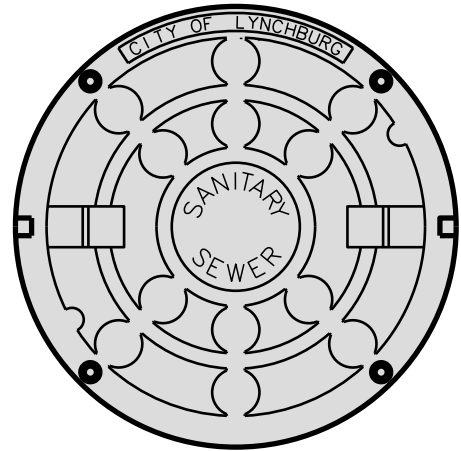
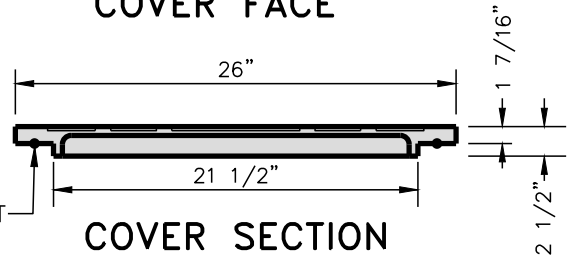


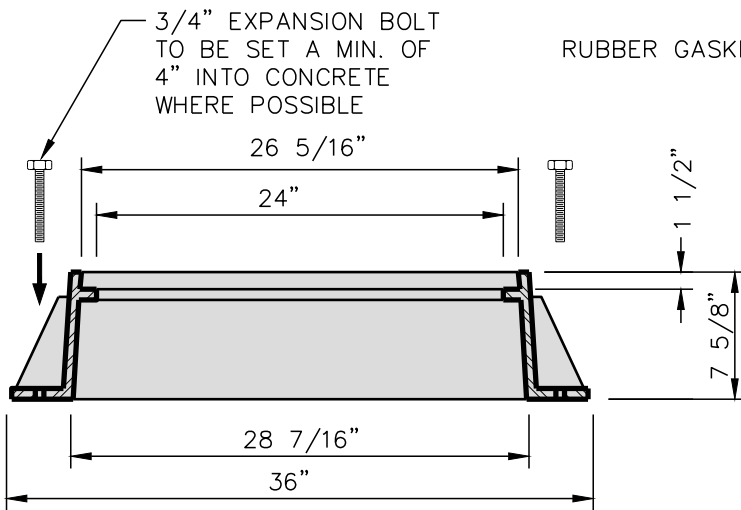
FRAME TOP VIEW



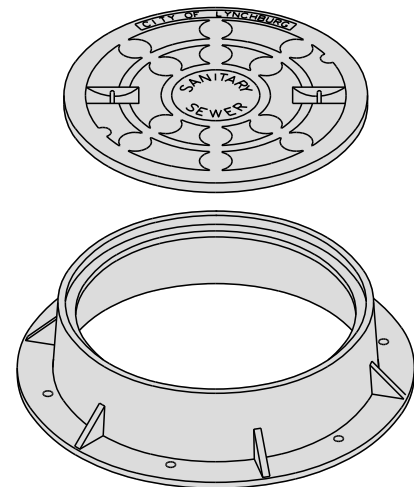
COVER FACE



COVER SECTION



FRAME SECTION



ISOMETRIC

NOTES:

1. MANHOLE FRAMES AND COVERS SHALL BE ROADWAY TYPE WITH DEEP SOCKET COVERS. MACHINE FRAMES AND COVERS TO PREVENT RATTLING. CASTINGS SHALL BE GRAY IRON MEETING REQUIREMENTS OF ASTM A48, CLASS 30.

5/05/2020 - 1:40:20pm



THE CITY OF LYNCHBURG

**WATERPROOF
MANHOLE FRAME and COVER**

USE WITH THE CITY OF LYNCHBURG STANDARD SPECIFICATIONS ONLY

SCALE:
NOT TO SCALE

DETAIL #
27.11

REVISION DATE:
4-2020

SHEET #:
1 OF 1