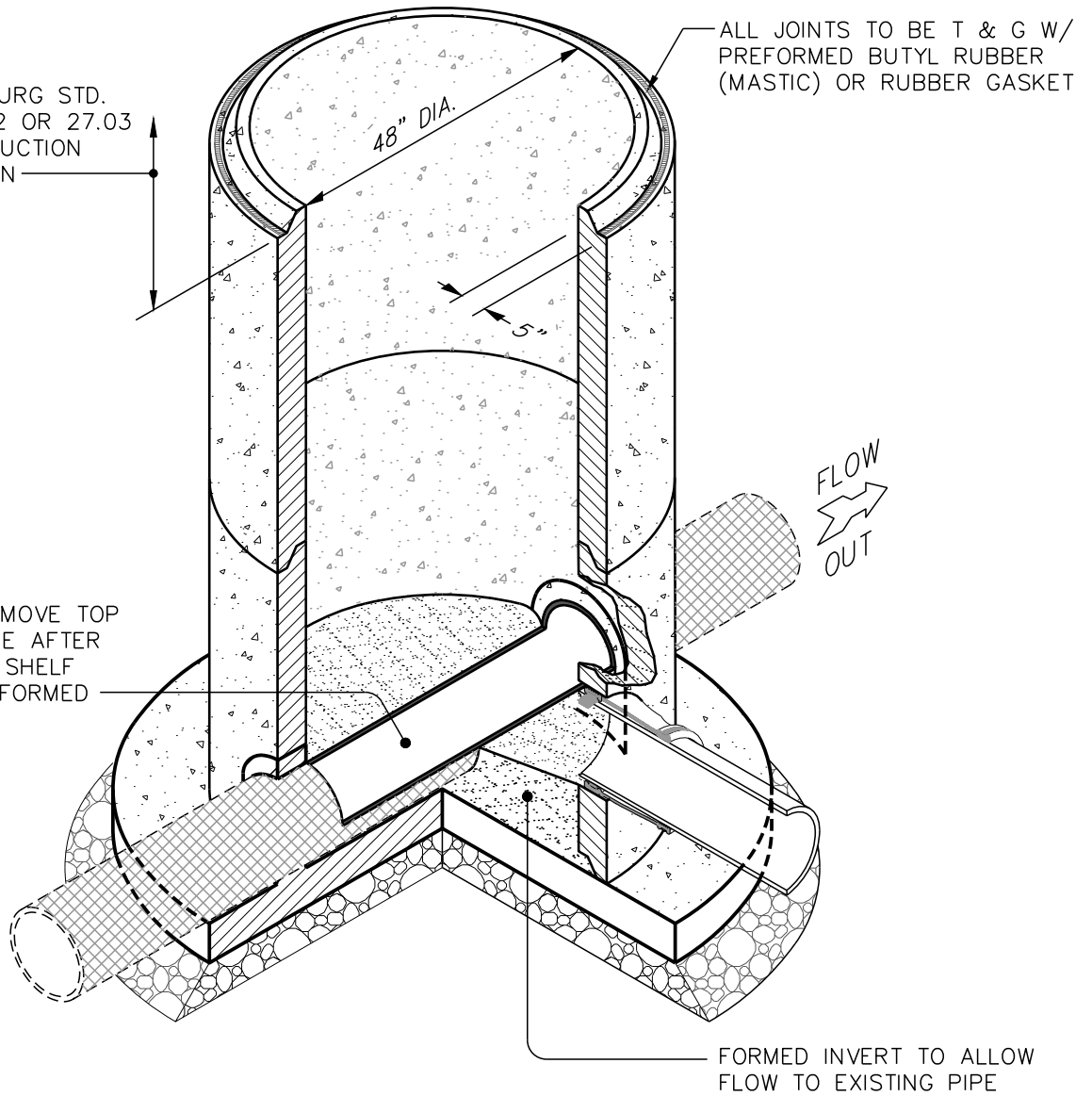


SEE LYNCHBURG STD.
DETAIL 27.02 OR 27.03
FOR CONSTRUCTION
CONTINUATION



INVERT SECTION VIEW

NOTES:

1. MAXIMUM DEPTH 4' DIA. MANHOLE = 20' (SEE SPECIFICATIONS).
2. CONCRETE SHALL BE 4000 PSI, A-4 CONCRETE WITH AN Az LIFE FACTOR DESIGN ≥ 90 .

5/05/2020 - 1:04:13pm



THE CITY OF LYNCHBURG

PRECAST CONCRETE
DOGHOUSE MANHOLE

USE WITH THE CITY OF LYNCHBURG STANDARD SPECIFICATIONS ONLY

SCALE:
NOT TO SCALE

REVISION DATE:
4-2020

DETAIL #
27.07

SHEET #:
2 OF 2