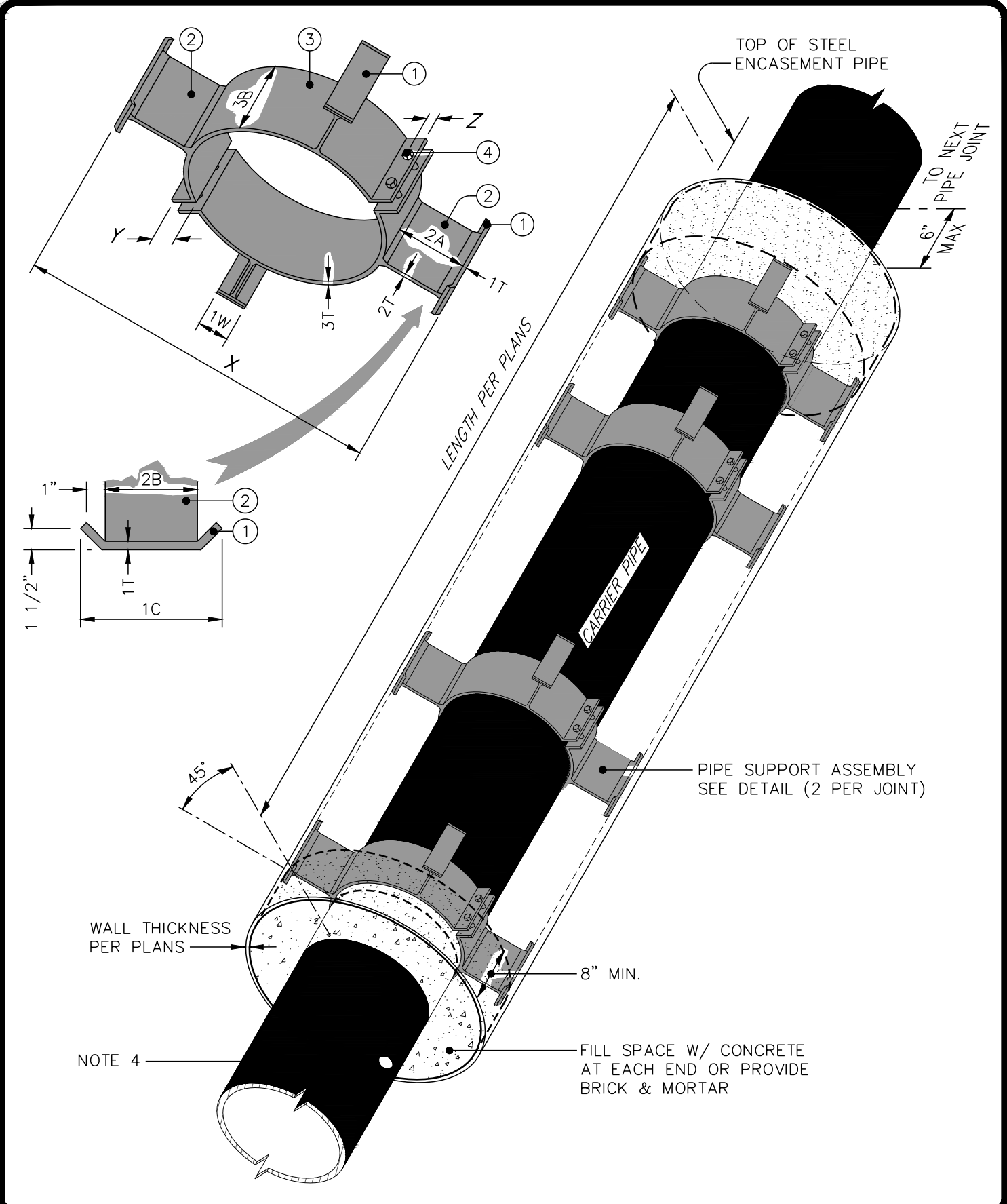


5/05/2020 - 10:38:56am



THE CITY OF LYNCHBURG			
STEEL ENCASEMENT DETAIL			
SCALE: NOT TO SCALE		DETAIL # 26.24	
REVISION DATE: 4-2020		SHEET #: 1 OF 2	
USE WITH THE CITY OF LYNCHBURG STANDARD SPECIFICATIONS ONLY			