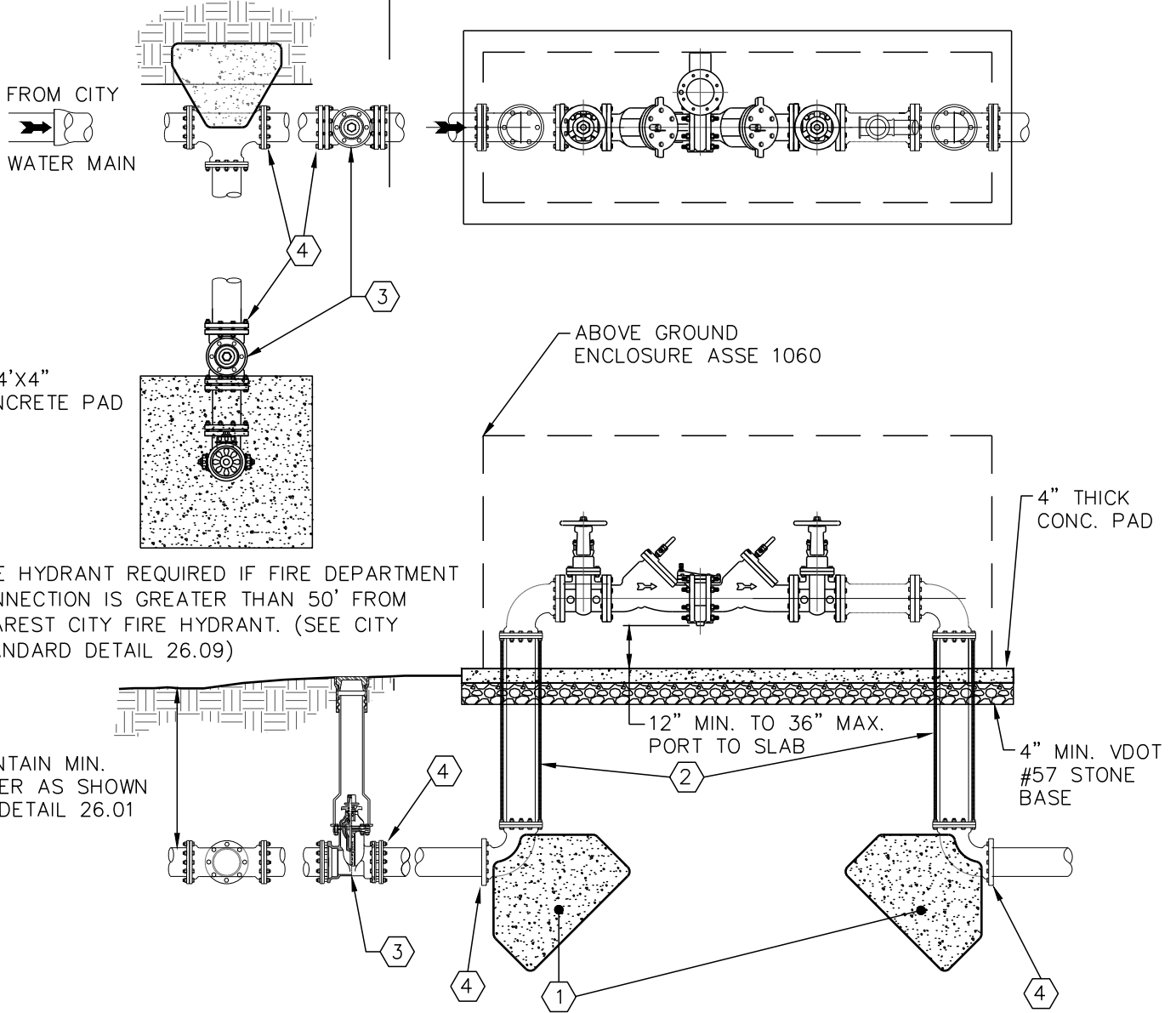


PROPERTY LINE →

REDUCED PRESSURE PRINCIPLE (RP)* BACKFLOW PREVENTION ASSEMBLIES SHALL BE ASSE 1013 AND USC APPROVED, AND 0.25% LEAD FREE. ALL PIPE AND FITTINGS USED INSIDE THE ENCLOSURE SHALL BE IN ACCORDANCE WITH MANUFACTURER'S INSTRUCTIONS AND THE MOST CURRENT VERSION OF THE INTERNATIONAL PLUMBING CODE AS ADOPTED BY THE COMMONWEALTH OF VIRGINIA; THE ASSEMBLY SHALL ALSO BE PROPERLY RESTRAINED (BRACED).



FIRE HYDRANT REQUIRED IF FIRE DEPARTMENT CONNECTION IS GREATER THAN 50' FROM NEAREST CITY FIRE HYDRANT. (SEE CITY STANDARD DETAIL 26.09)

MAINTAIN MIN. COVER AS SHOWN ON DETAIL 26.01

*IF THE OWNER OR CUSTOMER WISHES TO MONITOR THEFT FROM PRIVATE FIRE HYDRANTS OR UNDERGROUND LEAKS, A REDUCED PRESSURE PRINCIPLE DETECTOR ASSEMBLY (RPDA), ASSE 1047, WHICH IS USC APPROVED, AND 0.25% LEAD FREE, MAY BE USED INSTEAD OF A RP.



THE CITY OF LYNCHBURG

RP*—FOR INDEPENDENT FIRE SERVICE OR PRIVATE HYDRANT INSTALLATION

USE WITH THE CITY OF LYNCHBURG STANDARD SPECIFICATIONS ONLY

SCALE:
NOT TO SCALE

REVISION DATE:
4-2020

DETAIL #
26.20A

SHEET #:
1 OF 3