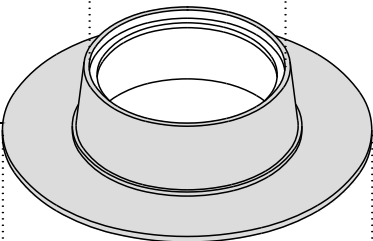




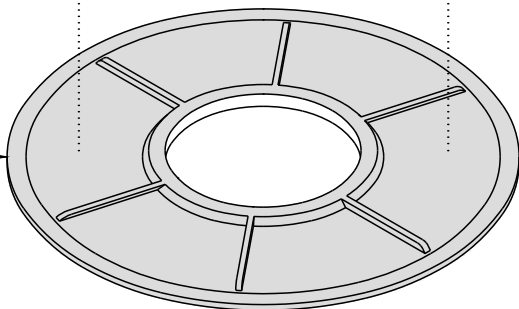
**PART #**

FORD A32-LL  
WITH LIFTING BAR



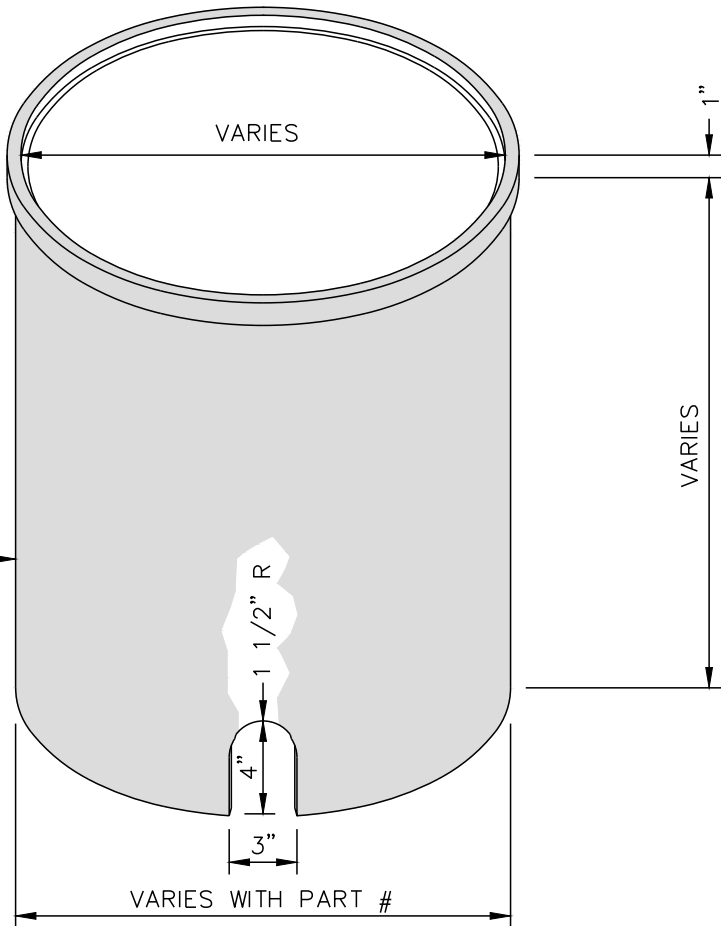
**PART #**

FORD EXT-1 for  
24" EXT. RING  
FORD EXT-3 for  
30" EXT. RING



**PART #**

DFW 1824,  
DFW 2430,  
or DFW 3030



**NOTES:**

1. THIS BOX AND LID IS NON-TRAFFIC BEARING. WHEN A TRAFFIC BEARING BOX AND LID IS REQUIRED, DETAIL SHALL BE SUBMITTED TO CITY ENGINEER FOR APPROVAL.

**THE CITY OF LYNCHBURG**

STANDARD 18"x24", 24"x30", or  
30"x30" - ROUND METER BOX

SCALE:  
NOT TO SCALE

DETAIL #  
**26.15**

REVISION DATE:  
4-2020

SHEET #:  
1 OF 1

USE WITH THE CITY OF LYNCHBURG STANDARD SPECIFICATIONS ONLY

