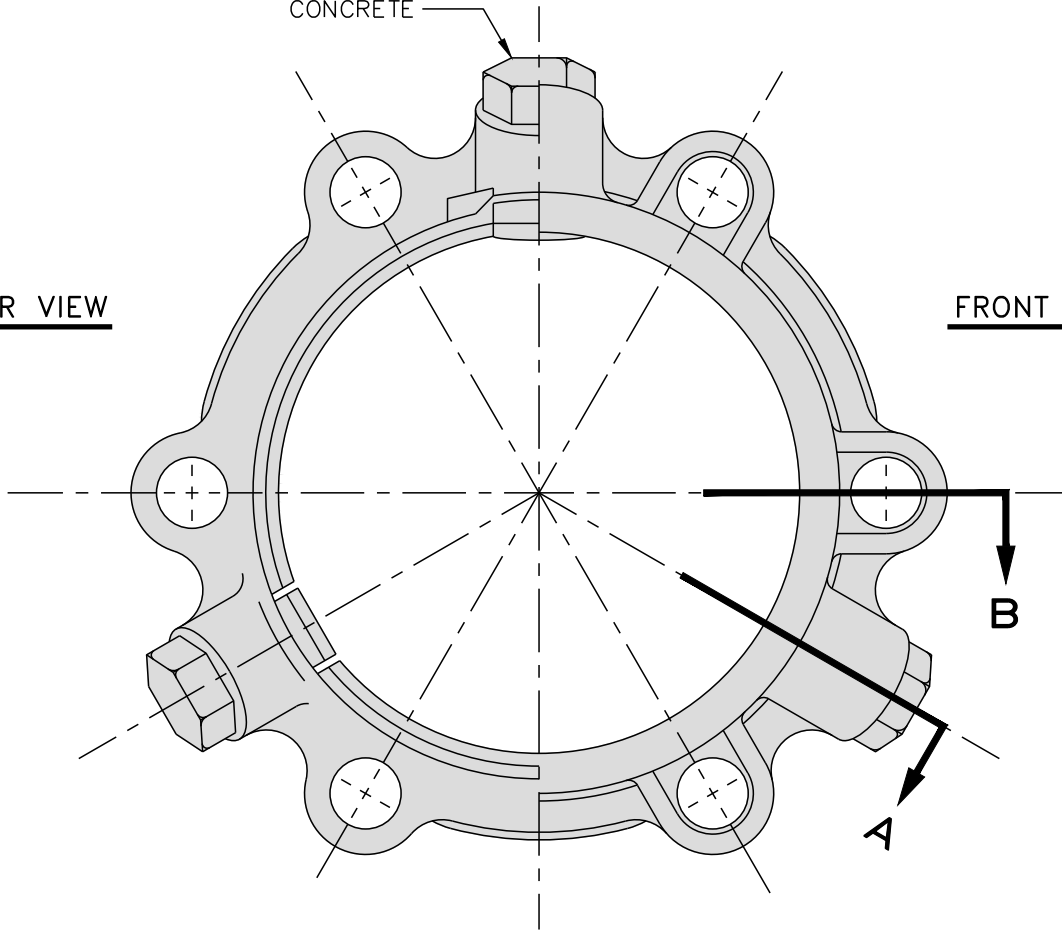


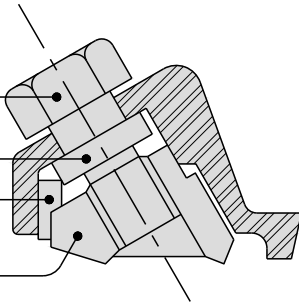
"TWIST-OFF" NUTS
BEFORE POURING
CONCRETE

REAR VIEW

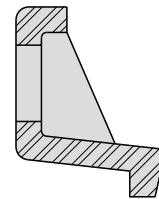
FRONT VIEW



BOLT
SHOULDER
BOLT
SPACER
WEDGE



SECTION A



SECTION B

THE CITY OF LYNCHBURG

THRUST RING

SCALE:
NOT TO SCALE

DETAIL #
26.04

REVISION DATE:
4-2020

SHEET #:
2 OF 2

USE WITH THE CITY OF LYNCHBURG STANDARD SPECIFICATIONS ONLY

