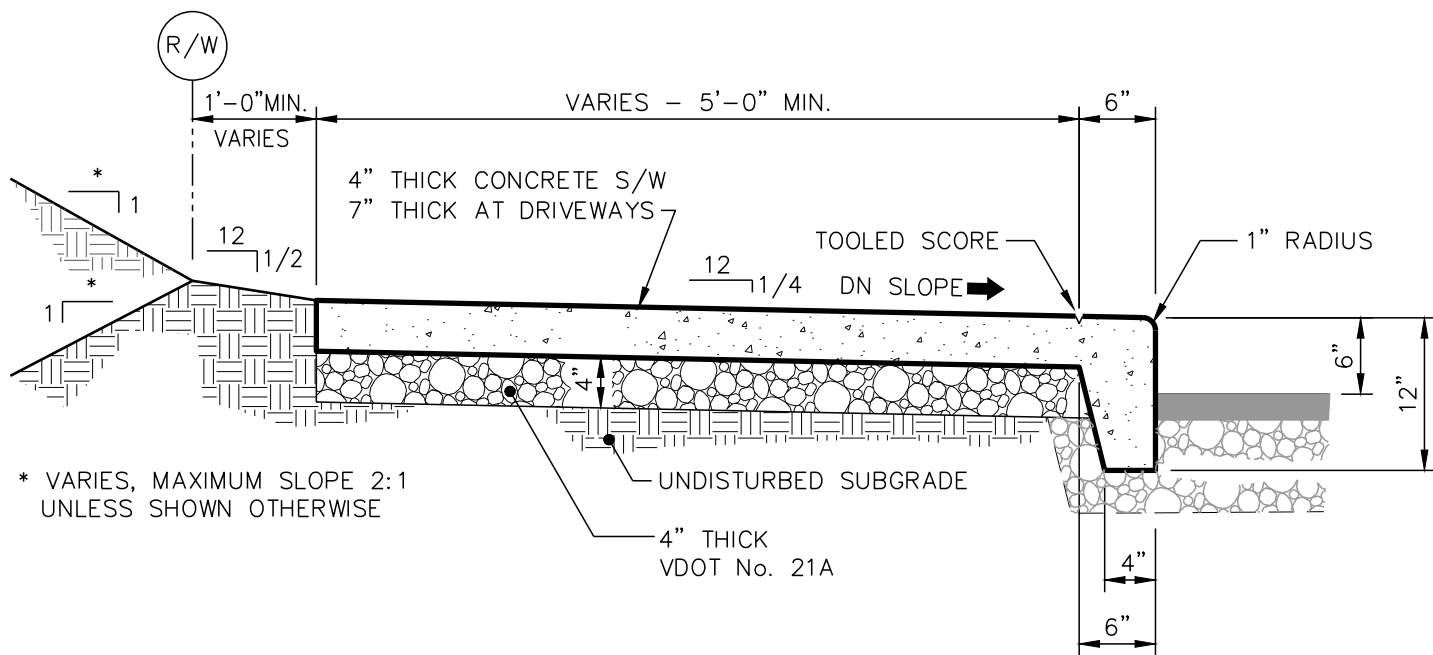


5/04/2020 - 2:08:19pm



* VARIES, MAXIMUM SLOPE 2:1 UNLESS SHOWN OTHERWISE

NOTES:

1. PROVIDE 3/4" DEEP TOOLED SCORES AT 5'-0" O.C. PERPENDICULAR TO FACE OF CURB AND ALONG CURB LINE.
2. EXPANSION JOINTS TO BE PLACED 30'-0" O.C. LONGITUDINALLY, ADJACENT TO CURBS, AND WHEN BUTTING EXISTING STRUCTURES, CONCRETE, OR BUILDINGS.



THE CITY OF LYNCHBURG

FACEDOWN
SIDEWALK

SCALE:
NOT TO SCALE

DETAIL #
25.06

REVISION DATE:
4-2020

SHEET #:
1 OF 1

USE WITH THE CITY OF LYNCHBURG STANDARD SPECIFICATIONS ONLY