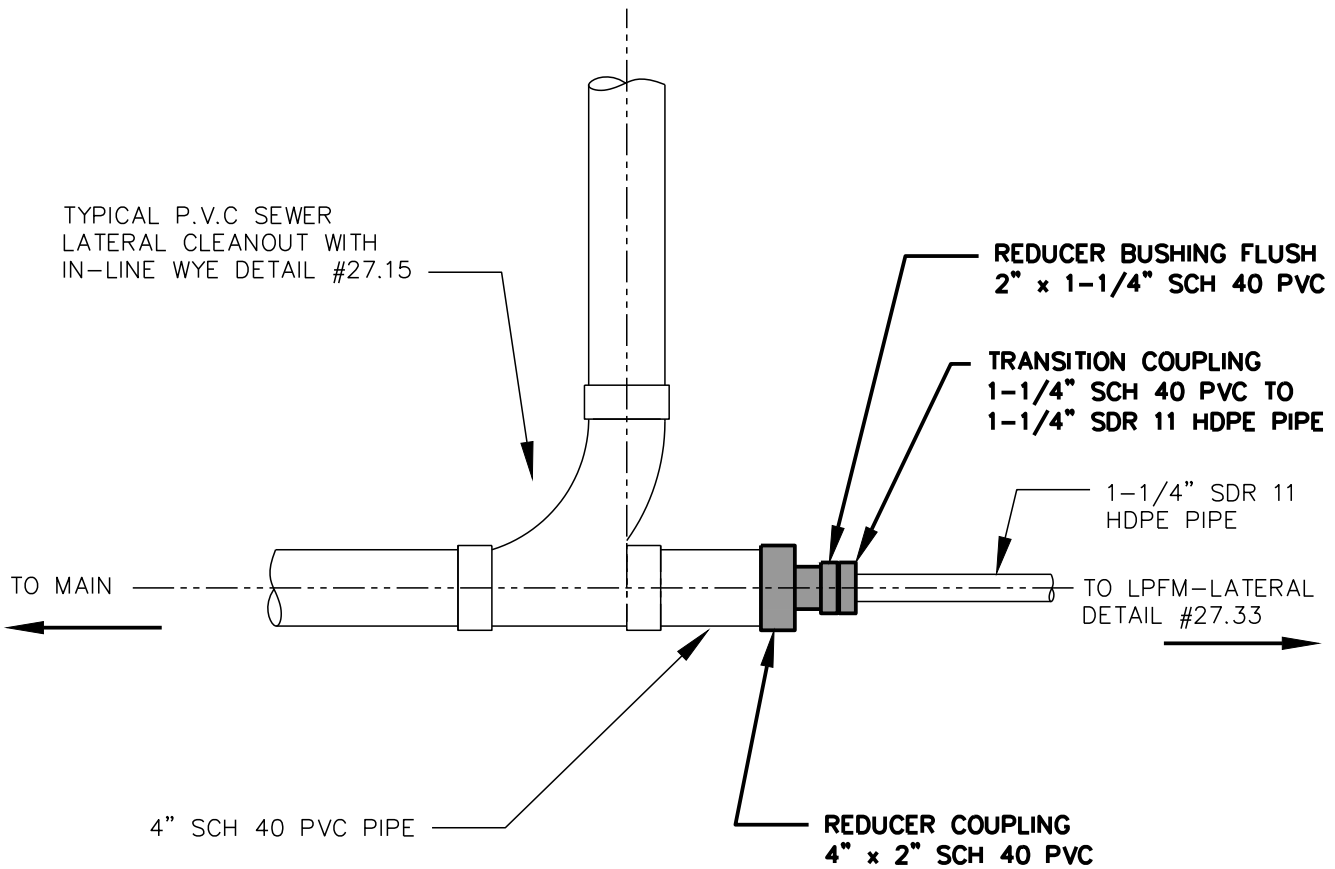


12/17/2016 - 5:58:22pm



**NOTES:**

REMOVE 8" OF 4" SCH 40 PVC PIPE AND CAP FROM DETAIL #27.15 AND CONNECT 4" x 2" SCH 40 PVC REDUCER COUPLING AND 2" x 1-1/4" SCH 40 PVC REDUCER BUSHING FLUSH AND TRANSITION COUPLING 1-1/4" SCH 40 PVC TO 1-1/4" SDR 11 HDPE PIPE



**THE CITY OF LYNCHBURG**

**LPFM-FORCE MAIN CONNECTION TO GRAVITY LATERAL**

USE WITH THE CITY OF LYNCHBURG STANDARD SPECIFICATIONS ONLY

SCALE:  
NOT TO SCALE

REVISION DATE:  
12-15-2016

DETAIL #  
**27.34**

SHEET #:  
1 OF 1