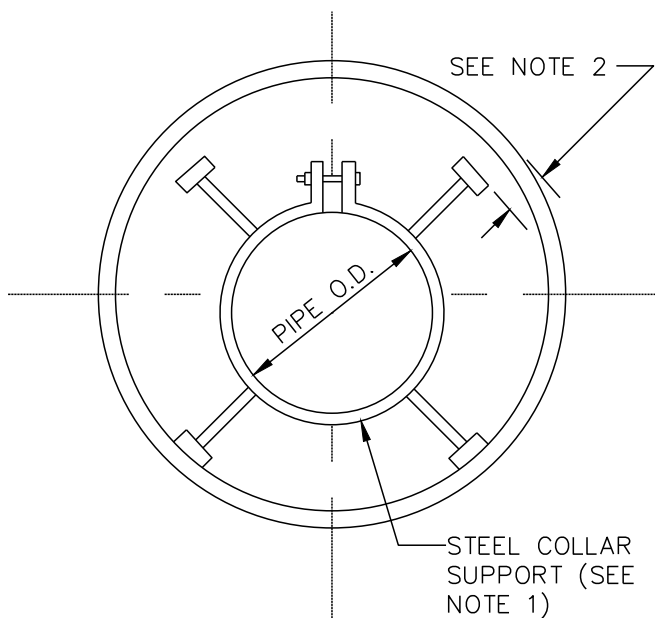
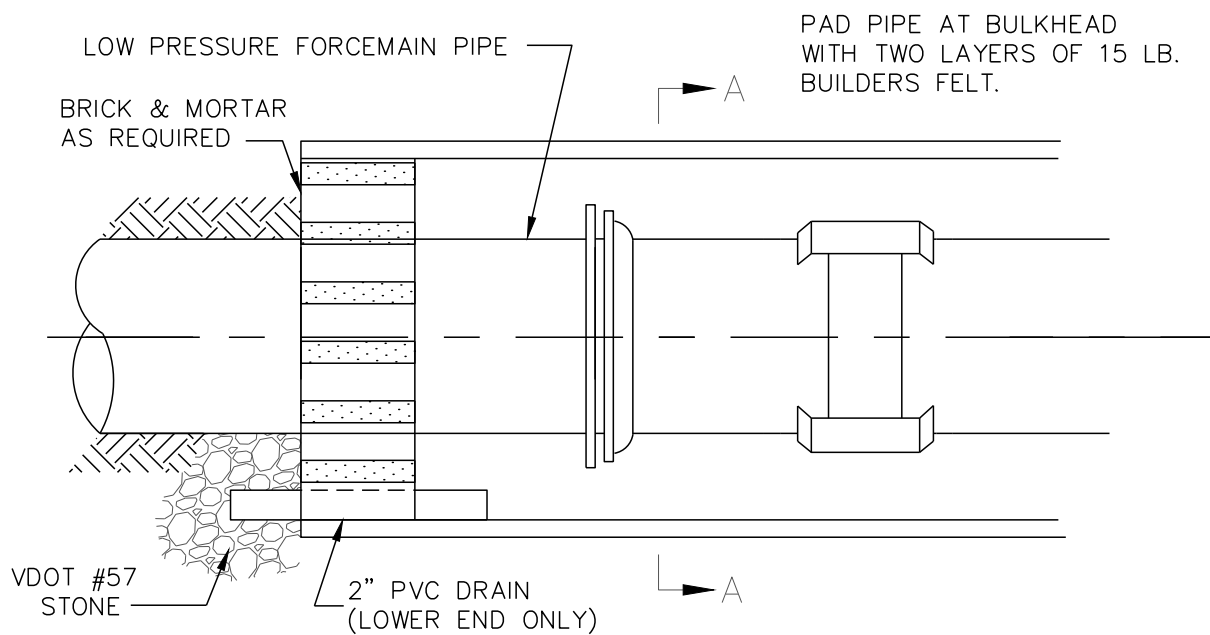


NOTES

1. SINGLE-PIECE COLLAR SHOWN.
2. DIMENSION AS NECESSARY TO PROVIDE MINIMUM CLEARANCE NEEDED TO SLIDE PIPE THROUGH CASING.
3. THIS STANDARD APPLICABLE FOR 4" DIA. AND LARGER PIPE INSTALLED UNDER PRIMARY AND SECONDARY HIGHWAYS. FOR LINES SMALLER THAN 4", USE DUCTILE IRON PIPE FOR CASING AND MODIFY INSTALLATION ACCORDINGLY.
4. CORRUGATED METAL PIPE SHALL NOT BE USED AS CASING.



SECTION A-A



CASING INSTALLATION



**THE CITY OF LYNCHBURG**

LPFM-CASING INSTALLATION

USE WITH THE CITY OF LYNCHBURG STANDARD SPECIFICATIONS ONLY

SCALE:  
NOT TO SCALE

REVISION DATE:  
12-15-2016

DETAIL #  
**27.32**

SHEET #:  
1 OF 1