



THE CITY OF LYNCHBURG

LPFM – TERMINAL FLUSHING CLEANOUT (END OF LINE)

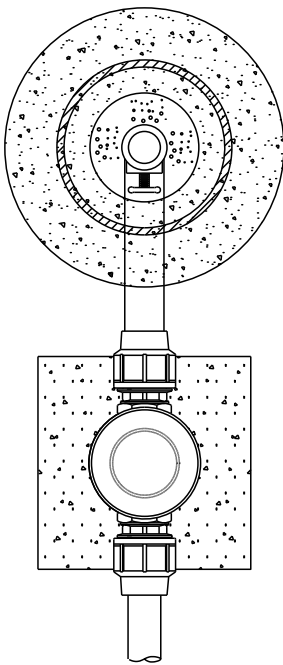
USE WITH THE CITY OF LYNCHBURG STANDARD SPECIFICATIONS ONLY

SCALE:
NOT TO SCALE

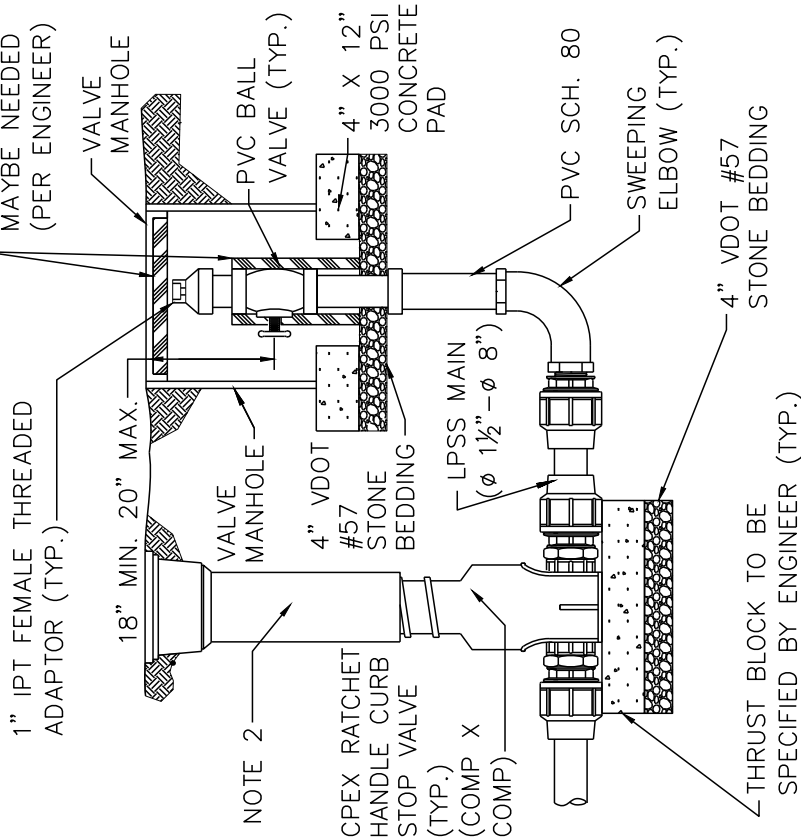
REVISION DATE:
12-15-2016

DETAIL #
27.30

SHEET #:
1 OF 1



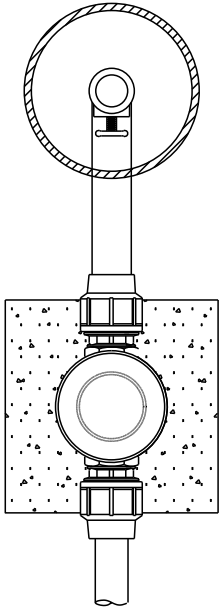
PLAN VIEW



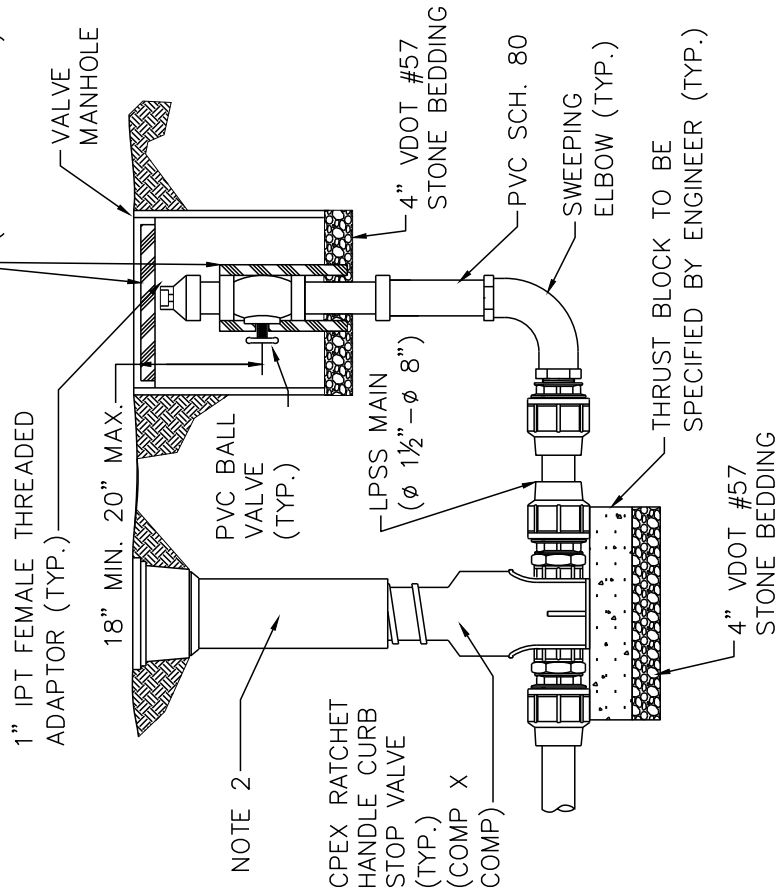
PROFILE VIEW IN PAVEMENT

NOTES

- METALLIC LOCATING WIRE TO BE INSTALLED WITH ALL PIPING AND SECURED TO ALL VALVE BOXES/MANHOLE.
- SCREW STYLE CURB BOX SIMILAR TO A.Y. MCDONALD 5700SERIES—MODEL 5700S APPROPRIATELY SIZED FOR VARIABLE DEPTHS. LIDS SHALL BE LABELED SEWER W/ BRASS PENTAGON PLUG. (TYP.)
- CONCRETE WILL BE PAID FOR AS UNFORMED CONCRETE.



PLAN VIEW



PROFILE VIEW OUTSIDE OF PAVEMENT