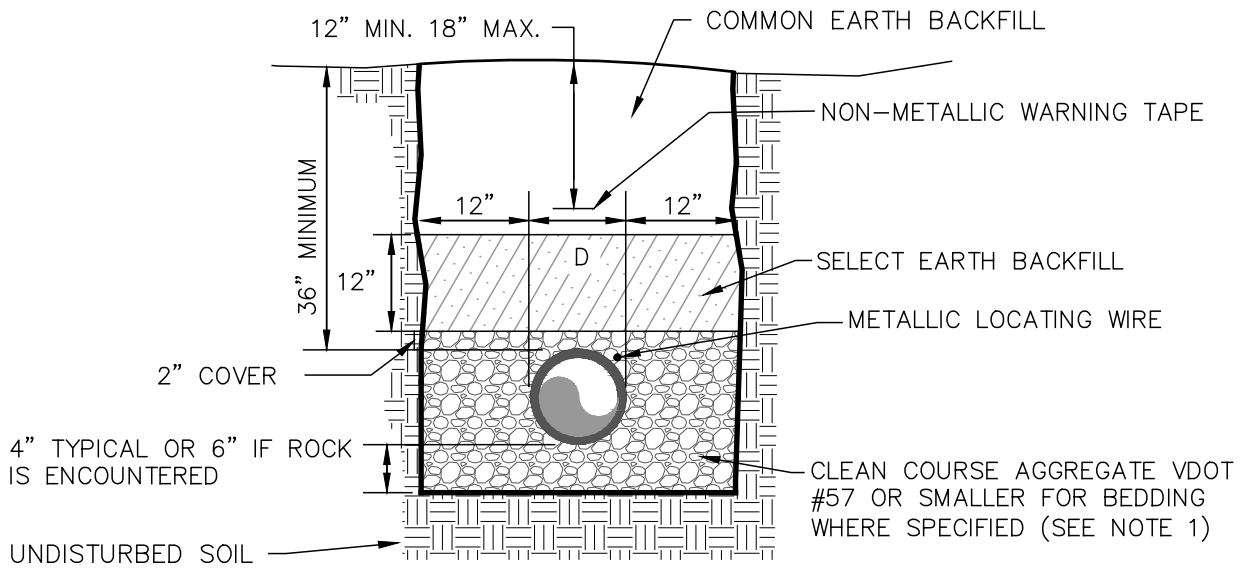


DETAIL FOR DITCHWITCH (TRENCHER) METHOD



DETAIL FOR EXCAVATOR METHOD

NOTES:

1. BEDDING SHALL BE REQUIRED IF ROCK IS ENCOUNTERED.
2. EXTRA DEPTH EXCAVATION SHALL BE PAID FOR AS ANYTHING BEYOND 4 FEET OF COVER TO TOP OF PIPE.
3. ANY EXCAVATION BEYOND TRENCH LIMITS SHOWN ON DETAIL SHALL BE THE CONTRACTOR'S EXPENSE.

THE CITY OF LYNCHBURG

LPFM—TRENCH DETAIL

SCALE:
NOT TO SCALE

DETAIL #
27.25

REVISION DATE:
12-15-2016

SHEET #
1 OF 1

USE WITH THE CITY OF LYNCHBURG STANDARD SPECIFICATIONS ONLY

