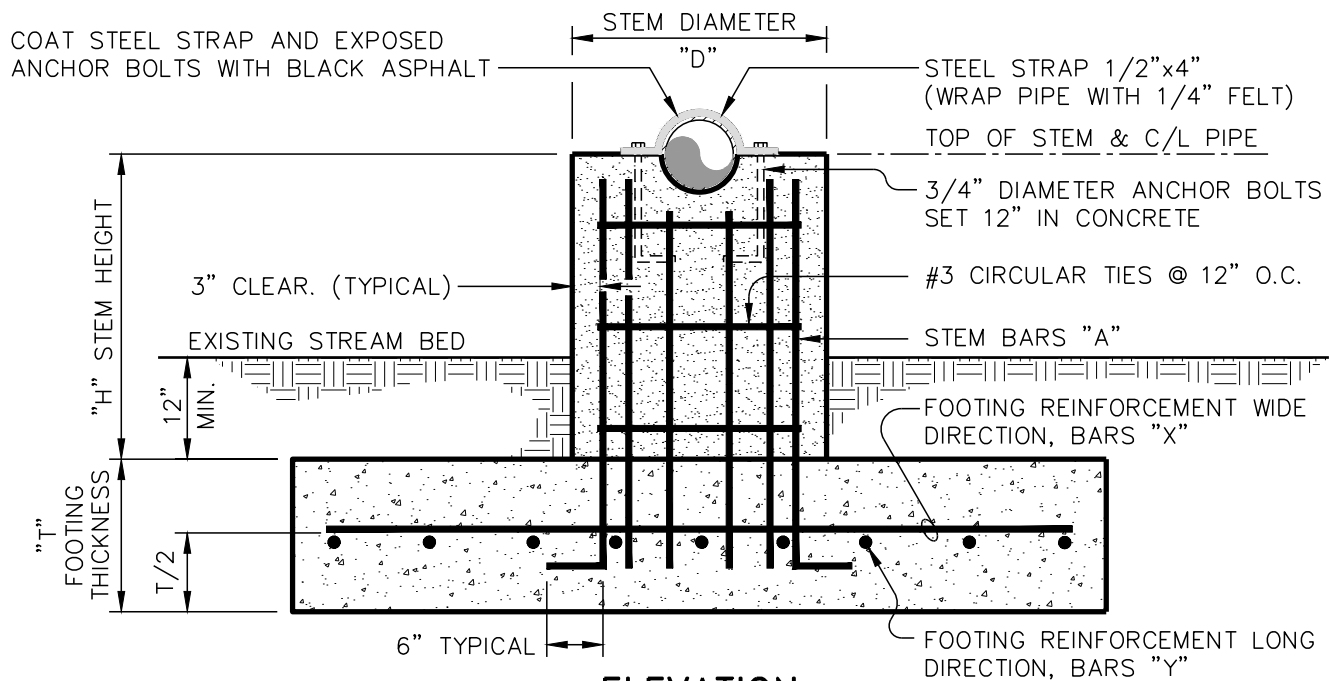


**PLAN**



**ELEVATION**

**NOTES:**

1. AN ALTERNATE DESIGN MAY BE SUBMITTED FOR REVIEW BY THE CITY ENGINEER.



**THE CITY OF LYNCHBURG**

PIPE SUPPORT PIER  
for WATER CROSSING

USE WITH THE CITY OF LYNCHBURG STANDARD SPECIFICATIONS ONLY

SCALE:  
NOT TO SCALE

DETAIL #  
**27.18**

REVISION DATE:  
12-15-2016

SHEET #:  
1 OF 2

12/17/2016 - 2:40:12pm