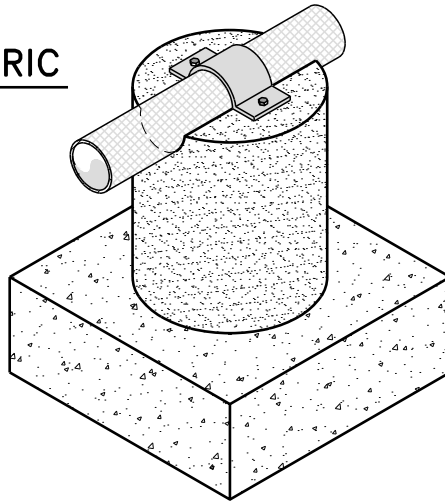


ISOMETRIC



PIPE SUPPORT PIER FOR DRY LAND CROSSING								
PIPE DIAMETER	STEM DIAMETER "D"	STEM HEIGHT "H"	STEM REINF. BARS "A"	FOOTING SIZE		STEM CONC. VOL. / VERT. FT. CU. YARDS	STEM STEEL WT. / VERT. FT. POUNDS	FOOTING CONC. VOL. CU. YARDS
				"W"	"T"			
8" TO 10"	2'-6"	1'-3'	10#4	4'-0"	1'-6"	0.18	6.68	0.89
		4'-6'	10#5	5'-0"	2'-0"		10.43	1.85
		7'-9'	10#5	6'-0"	2'-0"		10.43	2.67
		10'-12'	10#6	7'-0"	2'-6"		15.02	4.54
12" TO 16"	3'-0"	1'-3'	10#4	5'-0"	1'-6"	0.26	6.68	1.39
		4'-6'	10#5	6'-0"	2'-0"		10.43	2.67
		7'-9'	10#6	7'-0"	2'-6"		15.02	4.54
		10'-12'	10#8	8'-0"	2'-6"		26.70	5.92
18" TO 24"	3'-6"	1'-3'	14#5	6'-0"	2'-0"	0.36	14.60	2.67
		4'-6'	14#6	7'-0"	2'-6"		21.03	4.54
		7'-9'	14#6	8'-0"	3'-0"		21.03	7.11
		10'-12'	14#8	9'-0"	3'-0"		37.38	9.00

NOTES:

1. MINIMUM SOIL BEARING CAPACITY REQUIRED = 3,000 PSF. ENGINEER SHALL INSPECT ALL FOOTINGS PRIOR TO PLACEMENT OF CONCRETE.
2. CONCRETE - 3,000 PSI @ 28 DAYS.
3. REINFORCING - ASTM A615, GRADE 60.



THE CITY OF LYNCHBURG

PIPE SUPPORT PIER
FOR DRY LAND CROSSING

USE WITH THE CITY OF LYNCHBURG STANDARD SPECIFICATIONS ONLY

SCALE:
NOT TO SCALE

DETAIL #
27.17

REVISION DATE:
12-15-2016

SHEET #:
2 OF 2