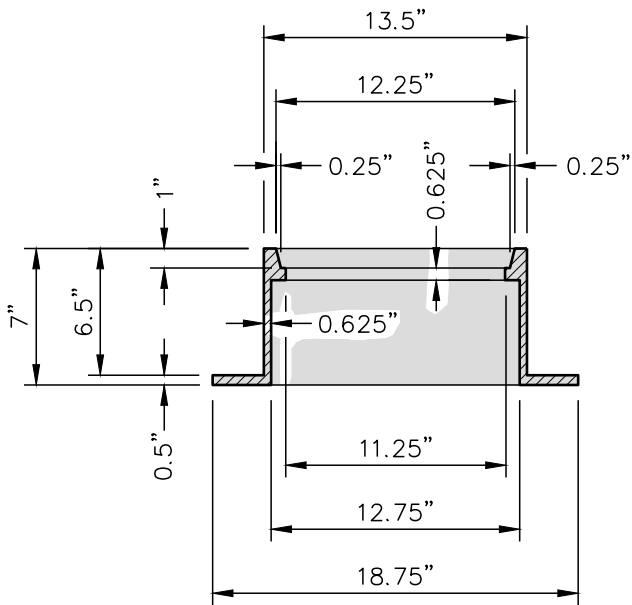
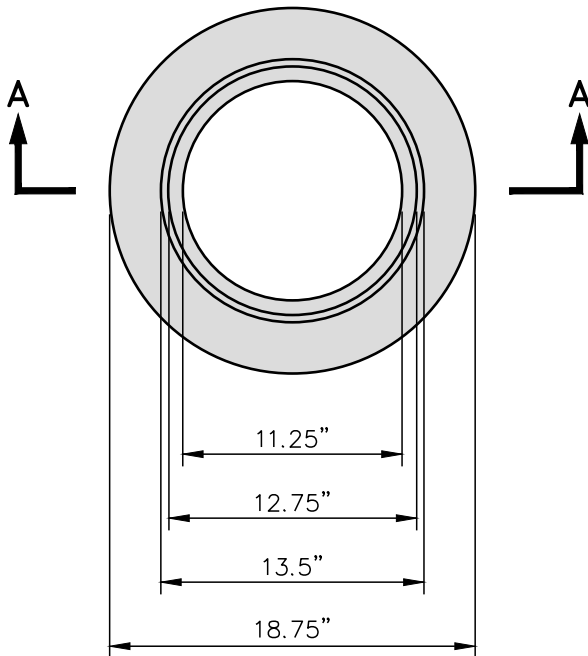


FRAME

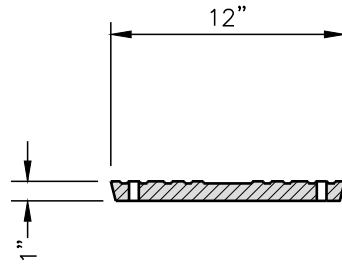


SECTION A-A

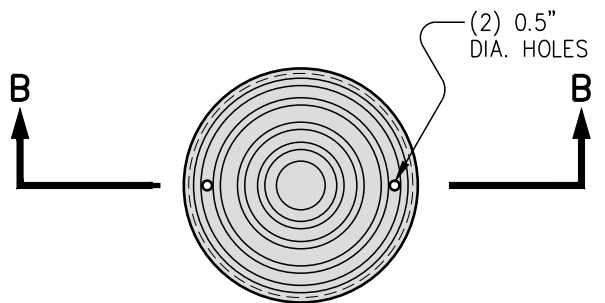


PLAN VIEW

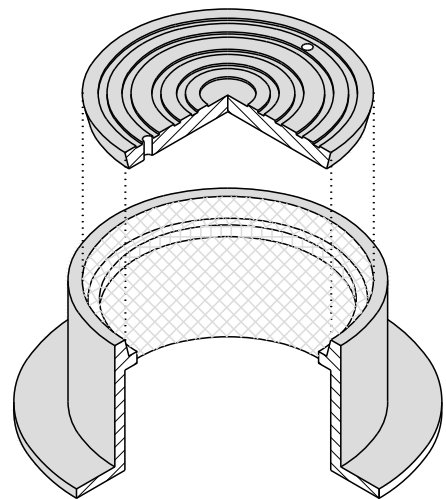
COVER



SECTION B-B



PLAN VIEW



ISOMETRIC VIEW



THE CITY OF LYNCHBURG

LAMPSTACK
FRAME and COVER

USE WITH THE CITY OF LYNCHBURG STANDARD SPECIFICATIONS ONLY

SCALE:
NOT TO SCALE

DETAIL #
27.09

REVISION DATE:
12-15-2016

SHEET #:
1 OF 1

12/17/2016 - 2:15:41pm