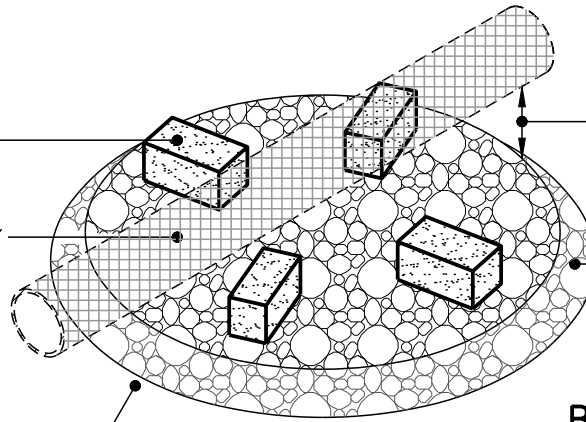


8"x8"x16" SOLID
CONCRETE BLOCK
CENTER W/RISER
WALL (4 EACH)

EXISTING SANITARY
SEWER PIPE

SEE SPECS FOR
FOUNDATION
IMPROVEMENT
WHEN NEEDED



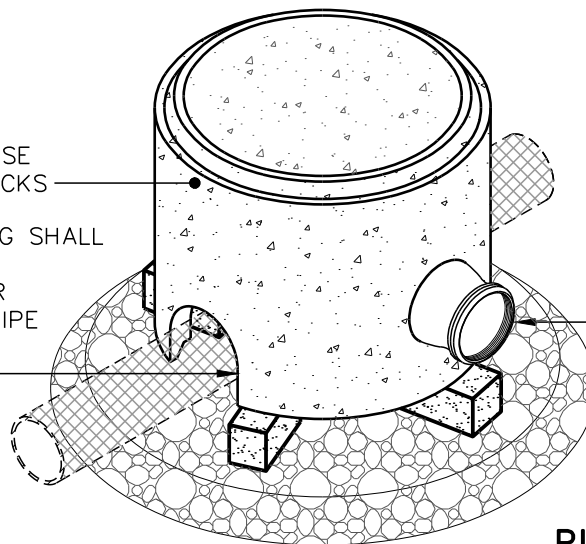
MIN. 8" CLEAR
BETWEEN EXISTING
PIPE AND PROPOSED
STONE

12" THICK VDOT
No. 57 STONE

BASE ISOMETRIC VIEW

SET DOGHOUSE BASE
ON CONCRETE BLOCKS

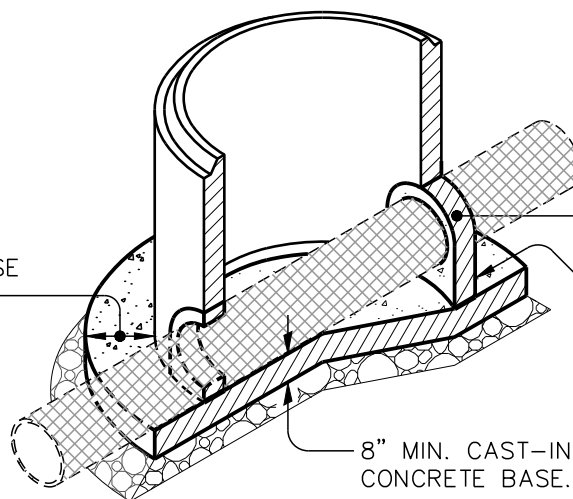
DOGHOUSE OPENING SHALL
BE PREFORMED BY
MANUFACTURER OR
SAW CUT TO FIT PIPE
OUTSIDE DIAMETER
PLUS 6".



SEE PLANS FOR
PROPOSED INVERT(S)
LOCATION & ELEVATION

RISER ISOMETRIC VIEW

ALLOW CONCRETE
TO FLOW A MIN.
1'-0" BEYOND BASE
OF STRUCTURE



FILL DOGHOUSE OPENING
AROUND EXISTING PIPE WITH
CONCRETE. SEE NOTE-2.

CONTRACTOR TO APPLY
WATER PROOFING
SEALANT AT JOINT (TYP.)

8" MIN. CAST-IN PLACE
CONCRETE BASE. SEE NOTE-2.

FOUNDATION SECTION VIEW



THE CITY OF LYNCHBURG

**PRECAST CONCRETE
DOGHOUSE MANHOLE**

USE WITH THE CITY OF LYNCHBURG STANDARD SPECIFICATIONS ONLY

SCALE:
NOT TO SCALE

DETAIL #
27.07

REVISION DATE:
12-15-2016

SHEET #:
1 OF 2