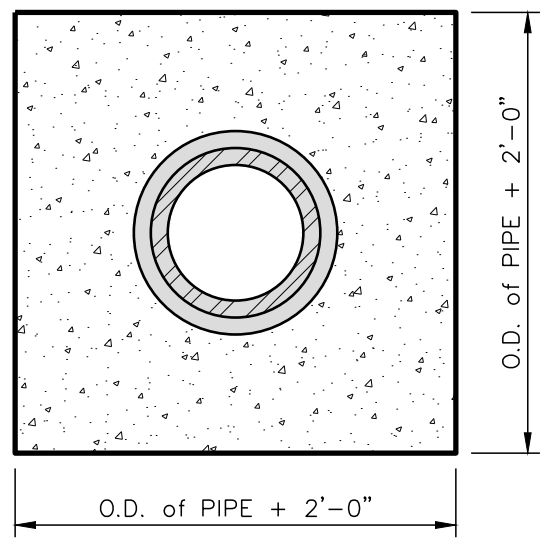


LONGITUDINAL SECTION



TRANSVERSE SECTION

NOTES:

1. ENCASEMENT TO BE USED ONLY WHERE SPECIFIED ON PLANS.



THE CITY OF LYNCHBURG

WATER LINE CROSSING
BENEATH STREAM BED

USE WITH THE CITY OF LYNCHBURG STANDARD SPECIFICATIONS ONLY

SCALE:
NOT TO SCALE

DETAIL #
26.22

REVISION DATE:
12-15-2016

SHEET #:
2 OF 2

12/16/2016 - 11:58:49am