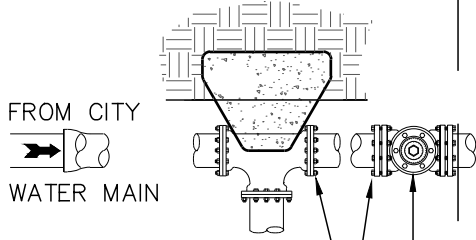


PROPERTY LINE →

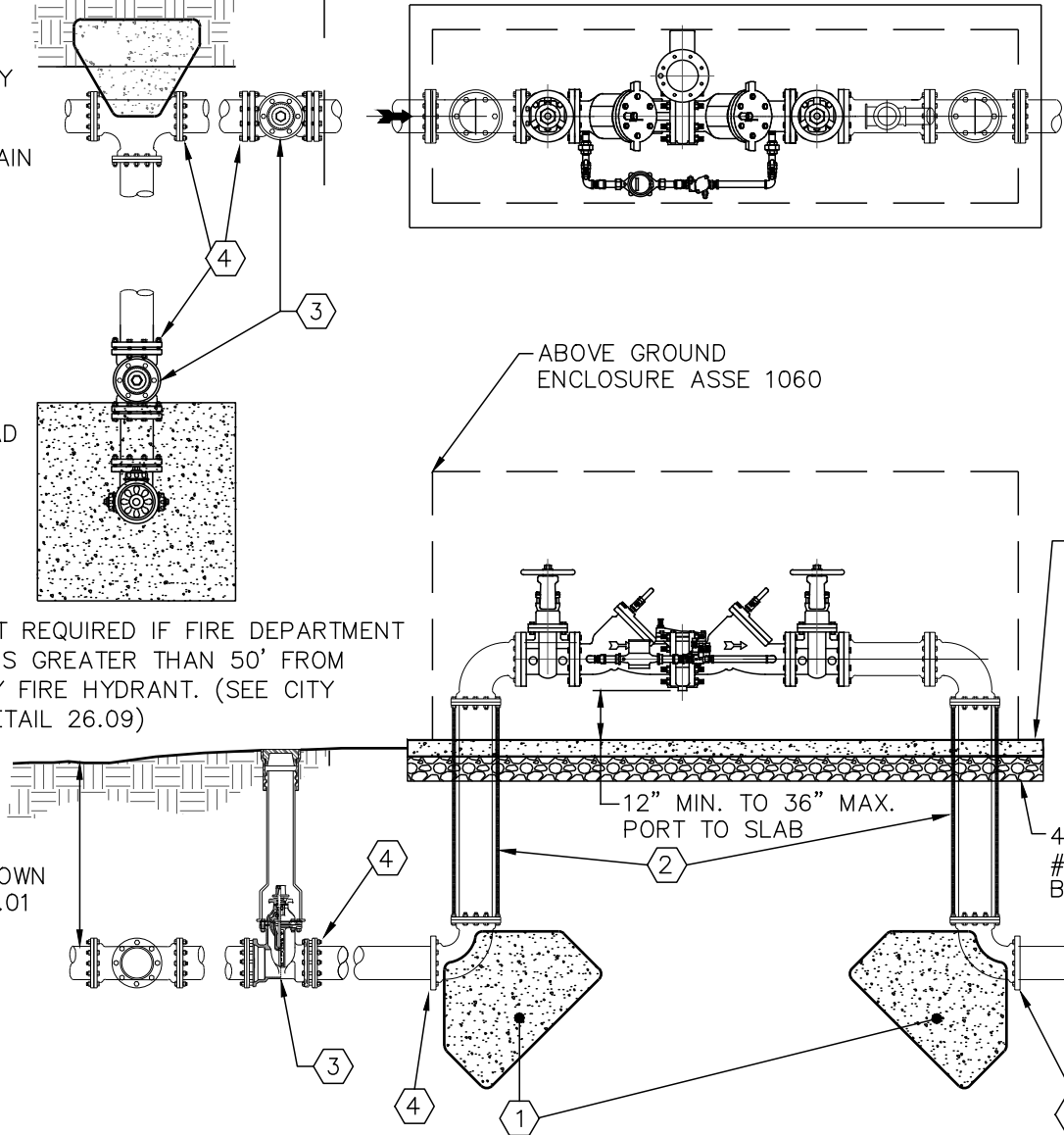
REDUCED PRESSURE PRINCIPLE DETECTOR (RPDA) BACKFLOW PREVENTION ASSEMBLIES SHALL BE ASSE 1047 AND USC APPROVED, AND 0.25% LEAD FREE. ALL PIPE AND FITTINGS USED INSIDE THE ENCLOSURE SHALL BE IN ACCORDANCE WITH MANUFACTURER'S INSTRUCTIONS AND THE MOST CURRENT VERSION OF THE INTERNATIONAL PLUMBING CODE AS ADOPTED BY THE COMMONWEALTH OF VIRGINIA; THE ASSEMBLY SHALL ALSO BE PROPERLY RESTRAINED (BRACED).



4'X4'X4" CONCRETE PAD

FIRE HYDRANT REQUIRED IF FIRE DEPARTMENT CONNECTION IS GREATER THAN 50' FROM NEAREST CITY FIRE HYDRANT. (SEE CITY STANDARD DETAIL 26.09)

MAINTAIN MIN. COVER AS SHOWN ON DETAIL 26.01



ABOVE GROUND ENCLOSURE ASSE 1060

4" THICK CONC. PAD

12" MIN. TO 36" MAX. PORT TO SLAB

4" MIN. VDOT #57 STONE BASE



THE CITY OF LYNCHBURG

RPDA—FOR INDEPENDENT FIRE SERVICE OR PRIVATE HYDRANT INSTALLATION

USE WITH THE CITY OF LYNCHBURG STANDARD SPECIFICATIONS ONLY

SCALE:
NOT TO SCALE

REVISION DATE:
12-15-2016

DETAIL #
26.20A

SHEET #:
1 OF 3

2/16/2017 - 3:25:31pm