

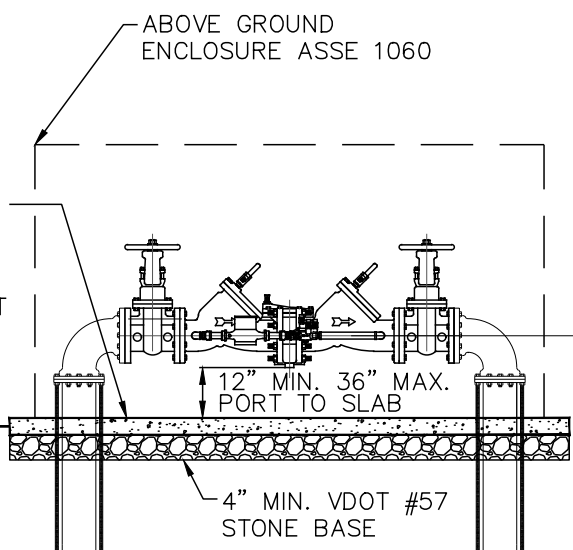
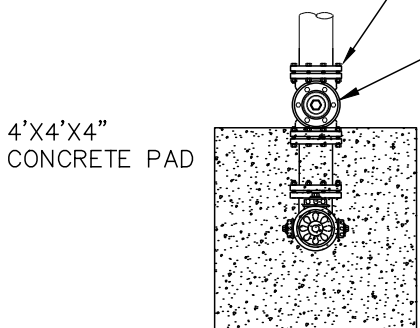
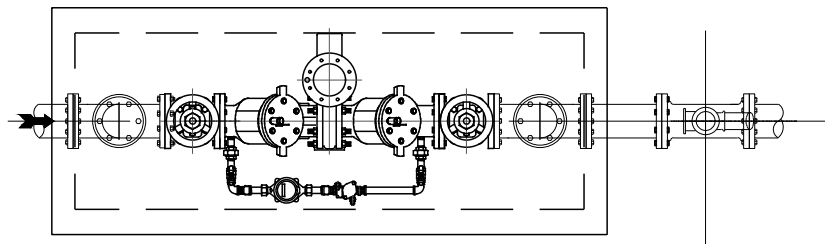
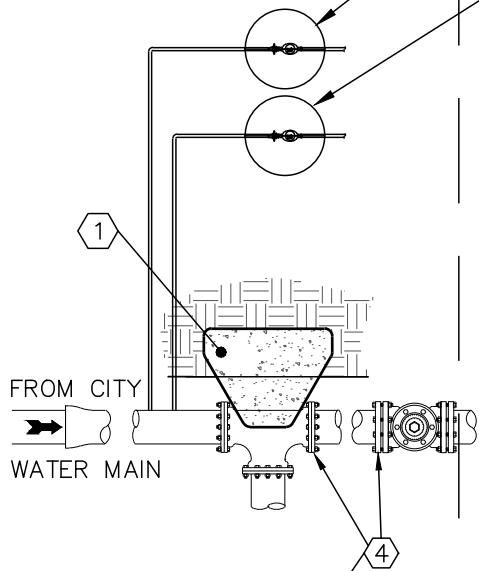
PROPERTY LINE

DOMESTIC SERVICE REDUCED PRESSURE PRINCIPLE ZONE (RPZ) BACKFLOW PREVENTION ASSEMBLIES AS REQUIRED SHALL BE ASSE 1013 AND USC APPROVED, AND 0.25% LEAD FREE.

IRRIGATION SERVICE REDUCED PRESSURE PRINCIPLE ZONE (RPZ) BACKFLOW PREVENTION ASSEMBLIES AS REQUIRED SHALL BE ASSE 1013 AND USC APPROVED, AND 0.25% LEAD FREE.

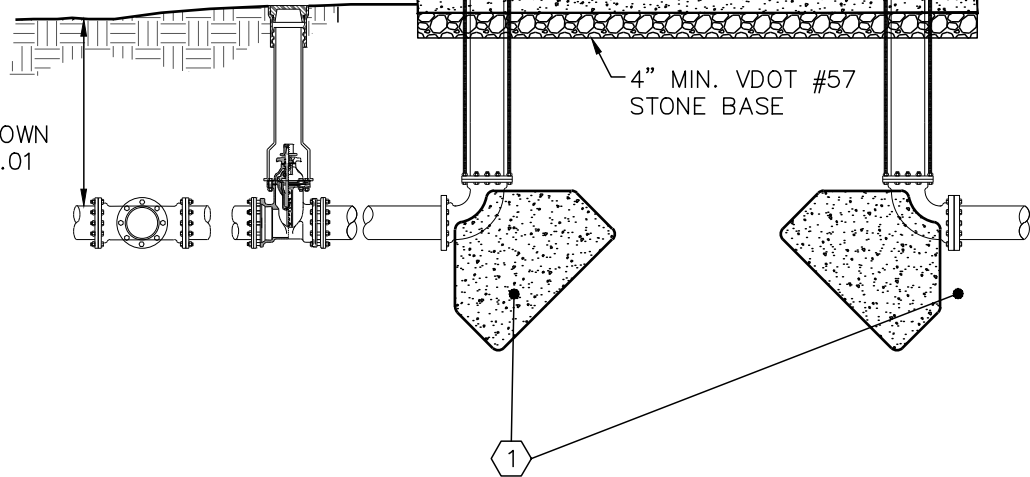
REDUCED PRESSURE PRINCIPLE DETECTOR (RPDA) BACKFLOW PREVENTION ASSEMBLIES SHALL BE ASSE 1047 AND USC APPROVED, AND 0.25% LEAD FREE.

DOMESTIC AND/OR IRRIGATION RPZ'S MAY BE INSTALLED IN ASSE 1060 ENCLOSURE WITH RPDA, AS LONG AS THEY ARE INSTALLED WITH THE ALLOWANCES WHICH ARE REQUIRED AROUND EACH ASSEMBLY.



FIRE HYDRANT REQUIRED IF FIRE DEPARTMENT CONNECTION IS GREATER THAN 50' FROM NEAREST CITY FIRE HYDRANT. (SEE CITY STANDARD DETAIL 26.09)

MAINTAIN MIN. COVER AS SHOWN ON DETAIL 26.01



THE CITY OF LYNCHBURG

RPDA—FOR INDEPENDENT FIRE SERVICE OR PRIVATE HYDRANT INSTALLATION WITH DOMESTIC AND IRRIGATION SERVICES

USE WITH THE CITY OF LYNCHBURG STANDARD SPECIFICATIONS ONLY

SCALE:
NOT TO SCALE

DETAIL #
26.20B

REVISION DATE:
12-15-2016

SHEET #:
1 OF 3

2/17/2017 - 3:20:01pm