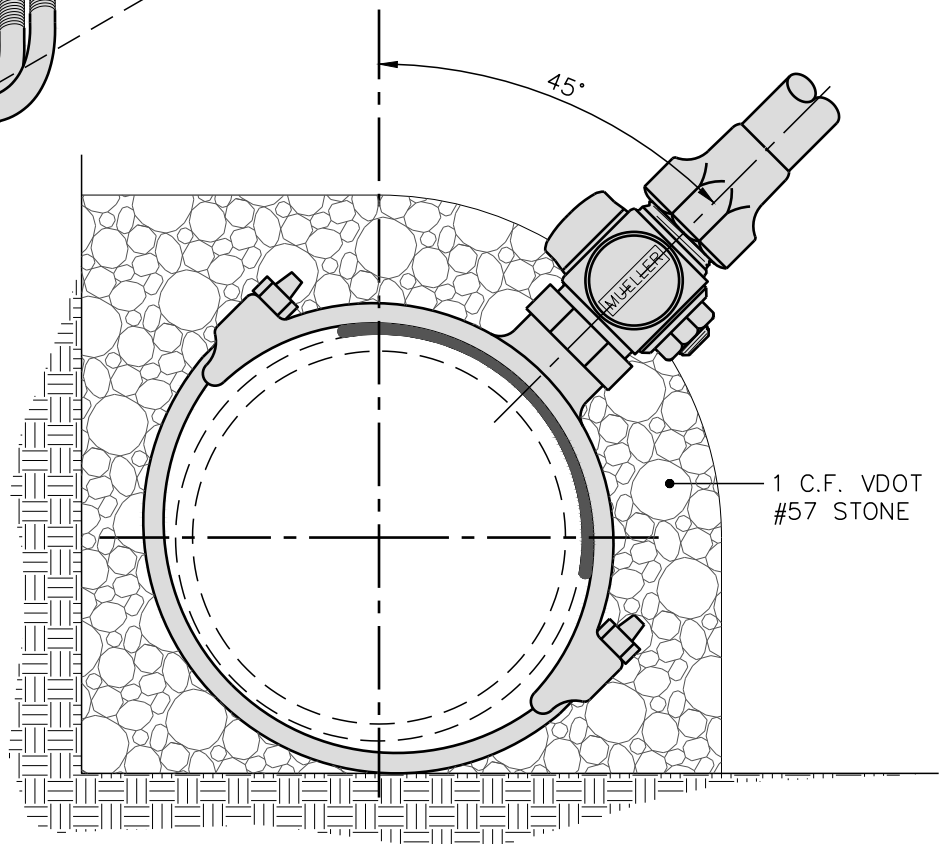
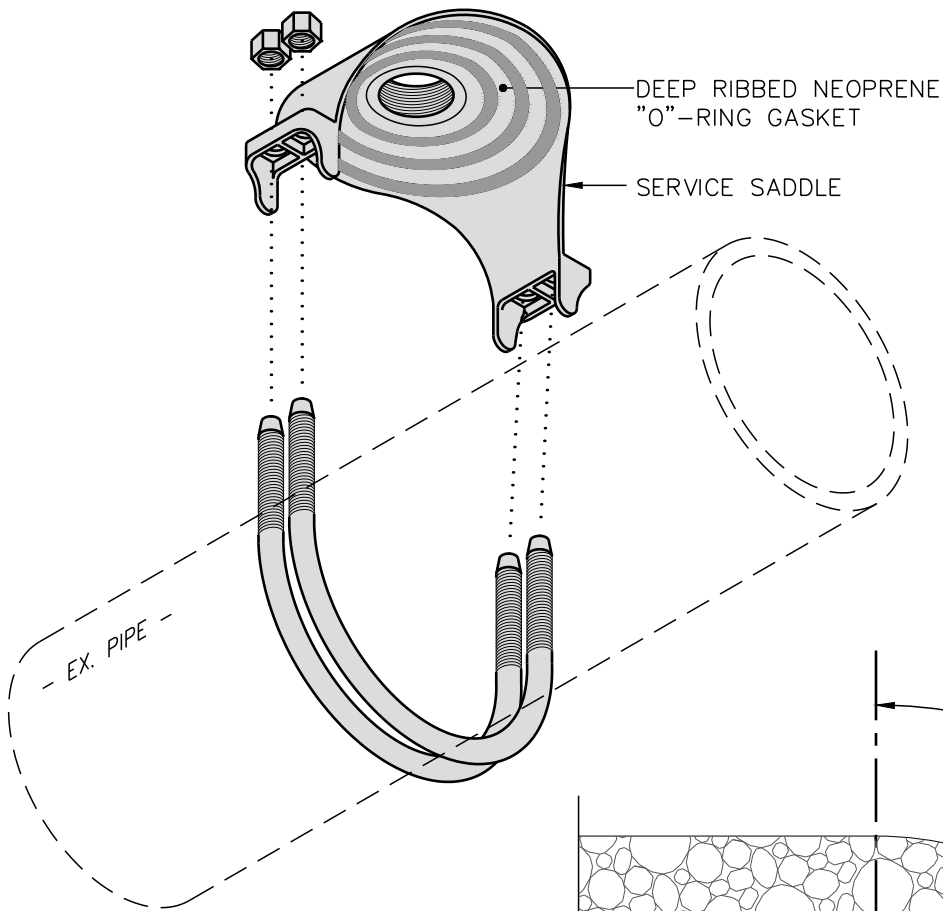


# ISOMETRIC VIEW



# SECTION VIEW



## THE CITY OF LYNCHBURG

TYP. DOUBLE STRAP SERVICE SADDLE FOR 6" THRU 12" MAINS

USE WITH THE CITY OF LYNCHBURG STANDARD SPECIFICATIONS ONLY

SCALE:  
NOT TO SCALE

REVISION DATE:  
12-15-2016

DETAIL #  
**26.14**

SHEET #:  
1 OF 1

12/15/2016 - 5:51:18pm