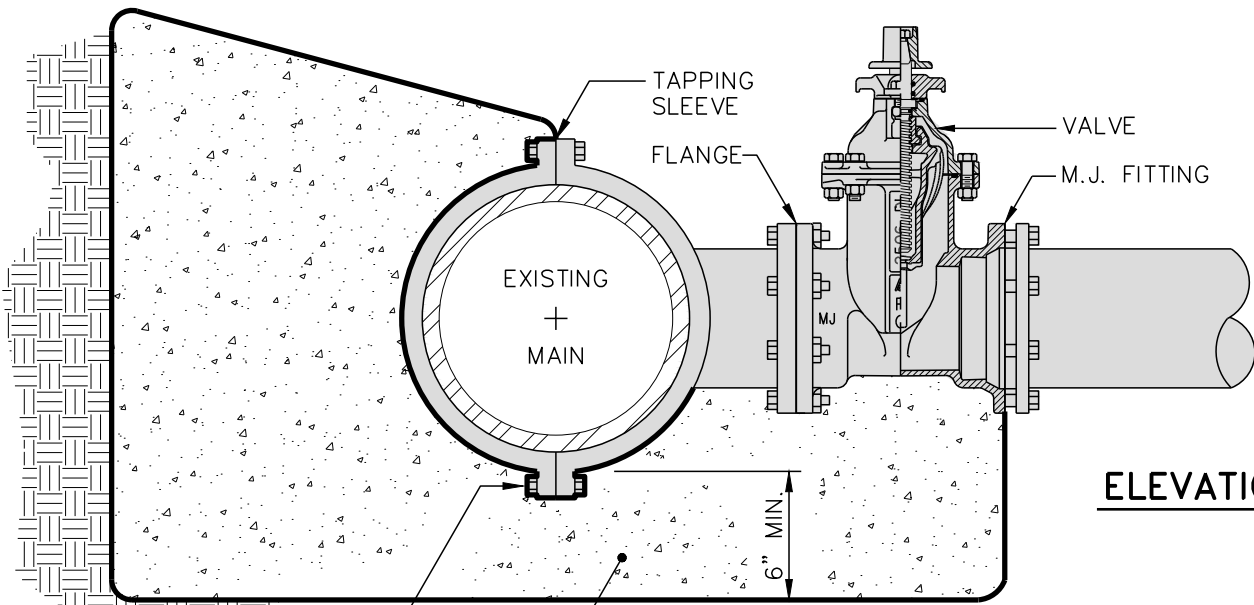


PLAN



ELEVATION

SEE NOTE 1

POUR 3000 PSI CONCRETE  
BLOCKING AND FOOTING  
UNDER ASSEMBLY AS SHOWN

**NOTES**

1. CONCRETE SHALL NOT CONTACT BOLTS OR ENDS OF MECHANICAL JOINT FITTINGS. (WRAP IN PLASTIC)
2. SEE TYPE "F" (HORIZONTAL) ANCHOR BLOCK DETAIL 26.02 FOR AREA OF CONCRETE REQUIRED.
3. TAPPING SLEEVE SHALL BE A MINIMUM OF 4' FROM NEAREST PIPE JOINT.



**THE CITY OF LYNCHBURG**

**TAPPING SLEEVE &  
VALVE DETAIL**

USE WITH THE CITY OF LYNCHBURG STANDARD SPECIFICATIONS ONLY

SCALE:  
NOT TO SCALE

DETAIL #  
**26.06**

REVISION DATE:  
12-15-2016

SHEET #:  
1 OF 1