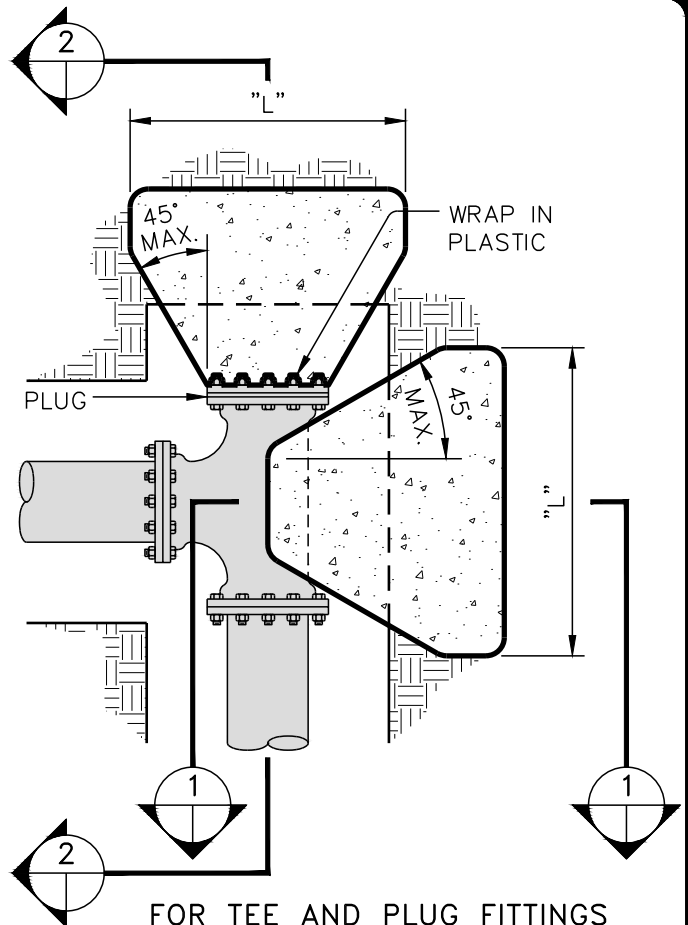
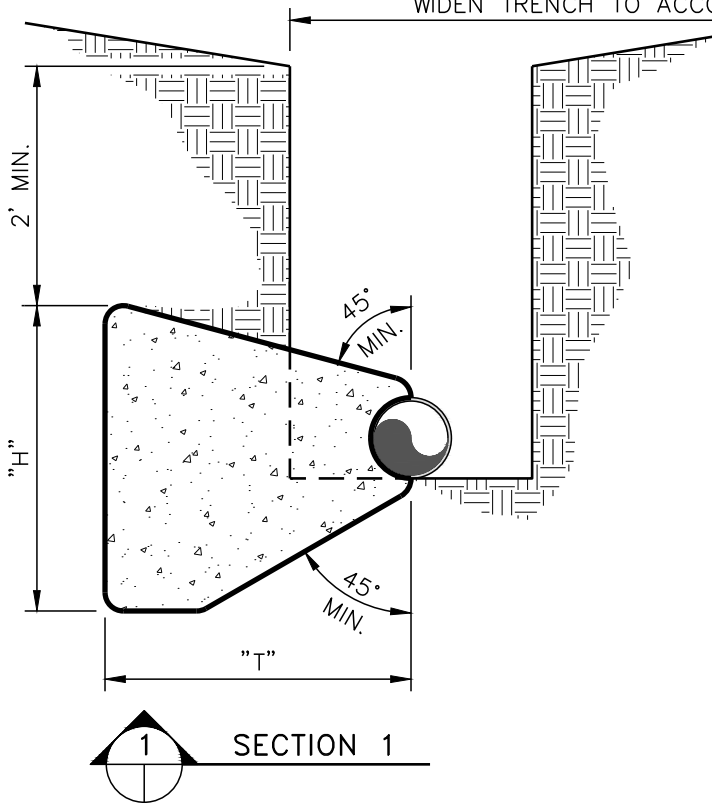


FOR ALL BENDS

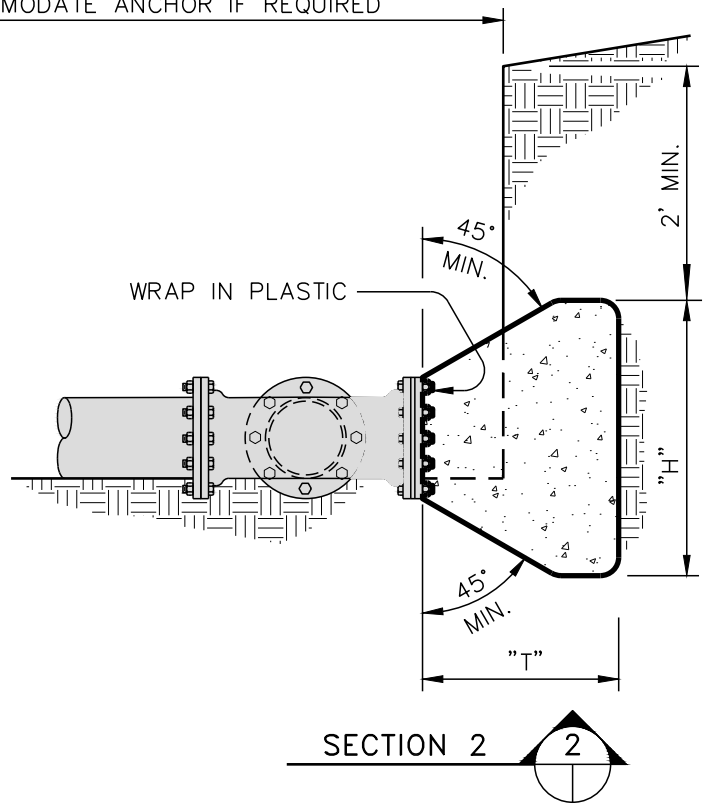


FOR TEE AND PLUG FITTINGS

WIDEN TRENCH TO ACCOMMODATE ANCHOR IF REQUIRED



SECTION 1



SECTION 2



THE CITY OF LYNCHBURG

TYPE "F" HORIZONTAL ANCHOR BLOCKING

USE WITH THE CITY OF LYNCHBURG STANDARD SPECIFICATIONS ONLY

SCALE:  
NOT TO SCALE

REVISION DATE:  
12-15-2016

DETAIL #  
**26.02**

SHEET #:  
1 OF 3